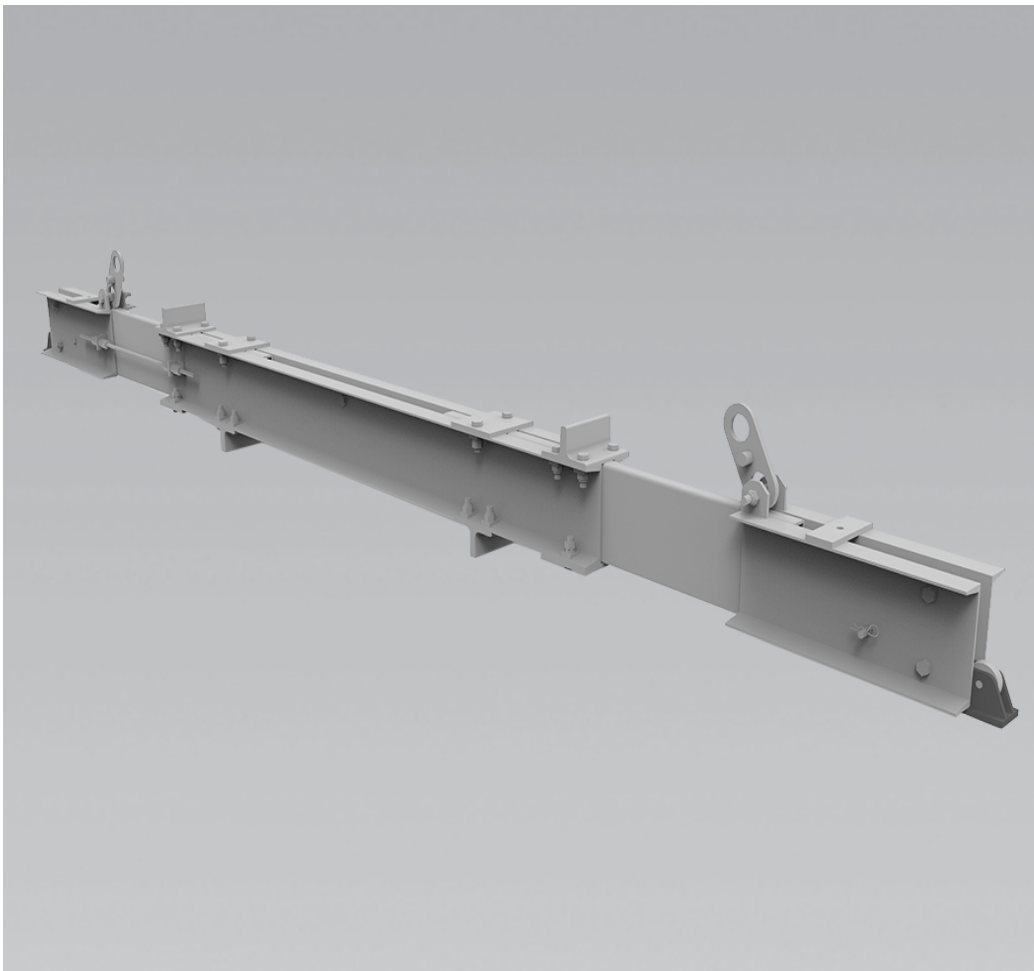


BR Telescopic Beam

Instructions for Assembly and Use – Issue 01/2022



E1 Assembling the BR Telescopic Beam

BR Telescopic HSS Beams:

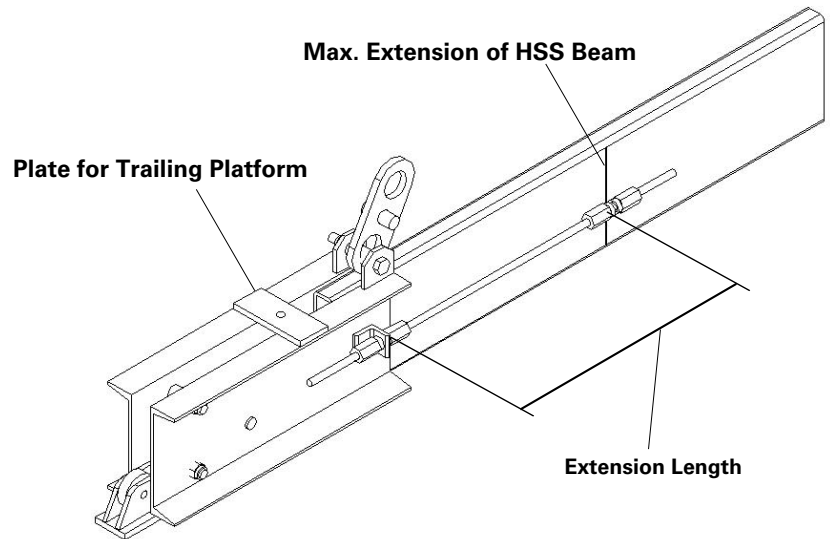
- BR Telescopic HSS Beam 1.65m (209005)
- BR Telescopic HSS Beam 1.85m (208999)



Extension length to not exceed 500mm for BR Telescopic HSS Beam 1.65m (209005)!



Extension length to not exceed 600mm for BR Telescopic HSS Beam 1.85m (208999)!

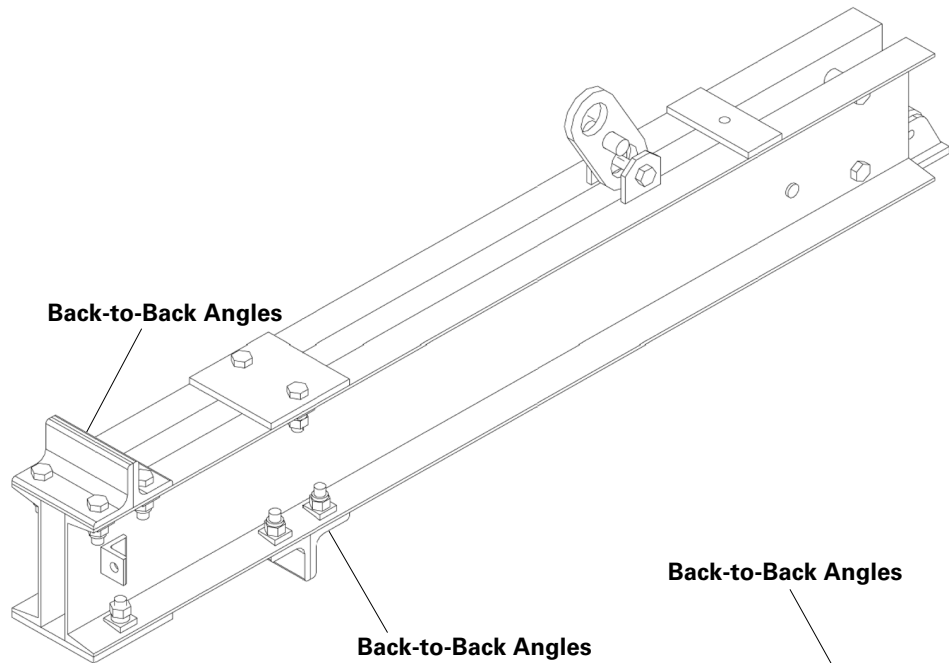


BR Telescopic End Beams:

- BR Telescopic End Beam 1.4m (209009)
- BR Telescopic End Beam 1.9m (209008)
- BR Telescopic End Beam 2.5m (209007)



Do NOT loosen bolts on the Back-to-Back Angles!

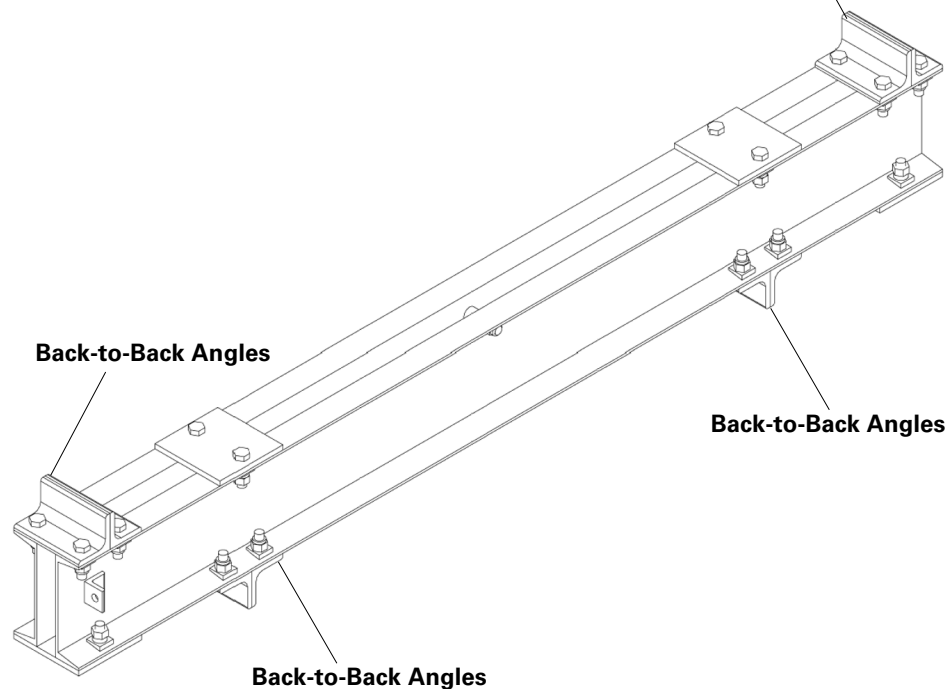


BR Telescopic Center Beams:

- BR Telescopic Center Beam 2.45m (209006)
- BR Telescopic Center Beam 3.65m (209000)



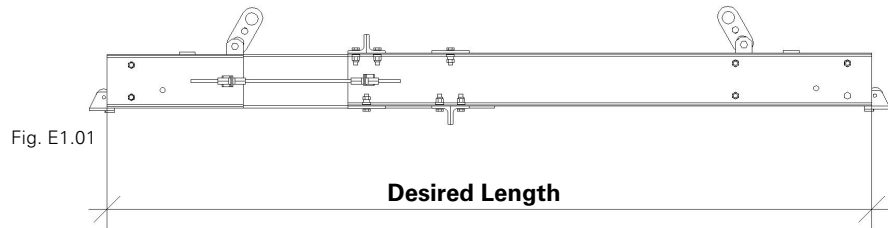
Do NOT loosen bolts on the Back-to-Back Angles!



E1 Assembling the BR Telescopic Beam

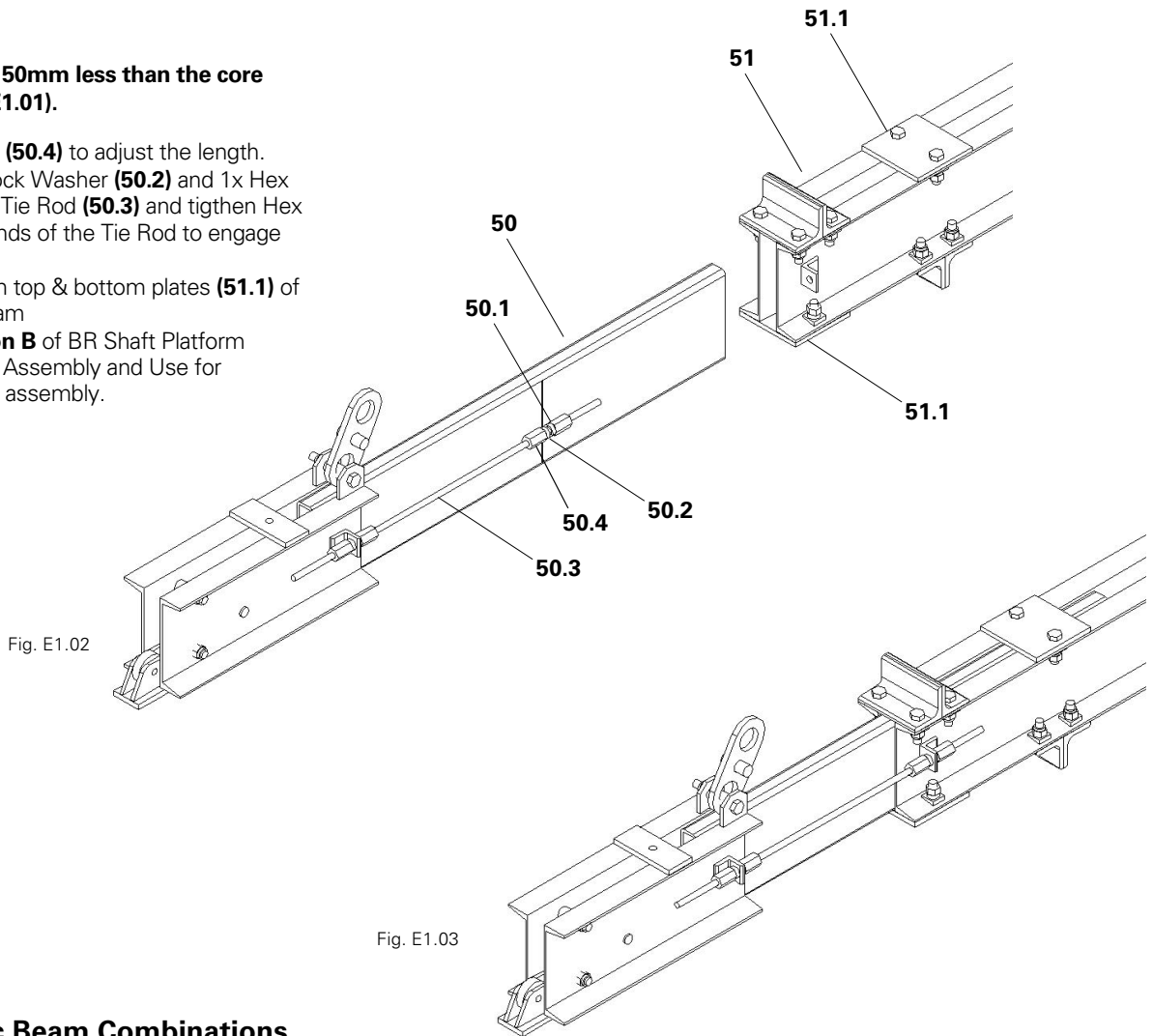
Connecting HSS Beam to Center or End Beam

1. Remove 1x Hex Nut (50.1) & 1x Lock Washer (50.2) from Tie Rod (50.3) on HSS Beam.
2. Loosen bolts on top & bottom plates (51.1) of Center/End Beam.
3. Slide HSS Beam into the Center/End Beam (Fig. E1.03) to achieve the desired length.



Desired length is 50mm less than the core dimension (Fig. E1.01).

4. Adjust Hex Nut (50.4) to adjust the length.
5. Re-attach 1x Lock Washer (50.2) and 1x Hex nut (50.1) onto Tie Rod (50.3) and tighten Hex Nuts on both ends of the Tie Rod to engage lock washers.
6. Tighten bolts on top & bottom plates (51.1) of Center/End Beam
7. Refer to **Section B** of BR Shaft Platform Instructions for Assembly and Use for remaining deck assembly.



BR Telescopic Beam Combinations

Article No.	Beam Combination	Beam Length (m)	Shaft Length (m)
209005 209009	1 x BR Telescopic HSS Beam 1.65m 1 x BR Telescopic End Beam 1.4m	2.05 - 2.55	2.10 - 2.60
208999 209008	1 x BR Telescopic HSS Beam 1.85m 1 x BR Telescopic End Beam 1.9m	2.55 - 3.15	2.60 - 3.20
208999 209007	1 x BR Telescopic HSS Beam 1.85m 1 x BR Telescopic End Beam 2.5m	3.15 - 3.75	3.20 - 3.80
208999 209006	2 x BR Telescopic HSS Beam 1.85m 1 x BR Telescopic Center Beam 2.45m	3.75 - 4.95	3.80 - 5.00
208999 209000	2 x BR Telescopic HSS Beam 1.85m 1 x BR Telescopic Center Beam 3.65m	4.95 - 6.10	5.00 - 6.15