



**The**

# PERI UP

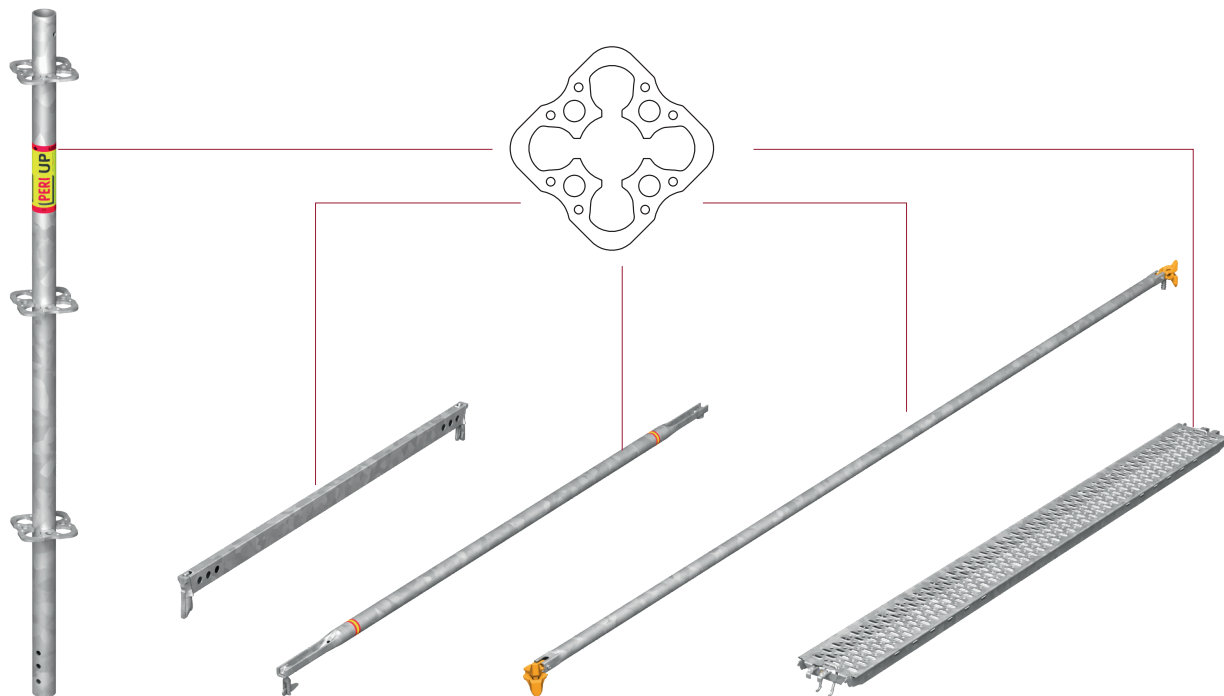
**Components**



# Core components with impressive characteristics

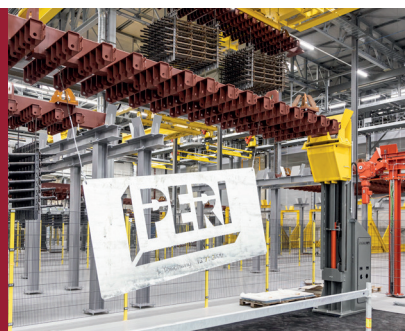
The versatility of the core components and the ease with which they can be combined make a significant contribution to component reduction. The number of components and fasteners is low because they combine several functions: they have connecting, load-bearing, securing and adjusting properties.

The system components can be stored in a clearly arranged manner, stacked conveniently and transported with ease thanks to the uniform metric grid arrangement and logistics-friendly geometry. With fewer yet multifunctional and diverse components, the PERI UP Scaffolding Kit also ensures high material utilisation.



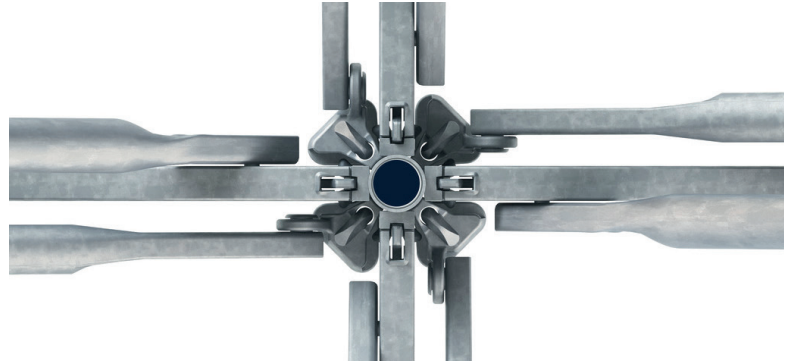
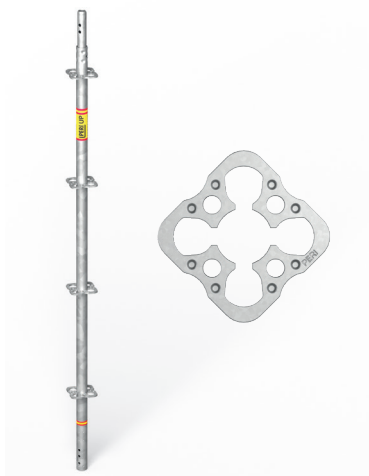
**How is it possible that the components are so light yet so durable and stable at the same time?**

PERI UP components meet the highest demands due to high node strength, state-of-the-art production methods and the use of high quality steels.





# The **PERI UP scaffolding node**: the key

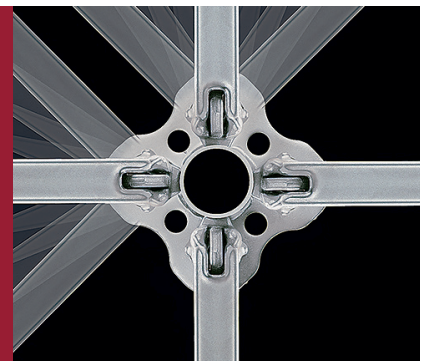


The Standard is available in lengths of 50 cm to 300 cm (in 50 cm or 100 cm increments). The integrated 50 cm scaffolding node spacings match the logical grid dimensions.



The PERI UP scaffolding node allows for angles of 45° and offers up to 16 connection possibilities in the node area. In addition to four horizontal ledgers and node braces respectively, eight ledger braces can be connected. Given the fact that it is positioned on the verticals at consistent intervals of 50 cm, you can fit the horizontal ledgers in this grid arrangement in a way that is easy to plan. This means that the ledgers for the deck height and guardrails can be positioned more or less intuitively. The openings in the node are compatible with a wide range of components in the PERI UP Scaffolding System and thus reduce the required number of components, while at the same time increasing flexibility. In addition, the flattened edge ensures that it is easier to stack the verticals, simplifying storage and transport considerably and, incidentally, preventing the verticals from rolling away.

- ▶ Up to 16 connection options in the node area and the option for angles of 45°
- ▶ The flattened sides with concave indentations make for straightforward and space-saving stacking procedures and prevent them from rolling away
- ▶ Continuous metric height graduation for straightforward, seamless compatibility, even between frames and verticals
- ▶ Openings for gravity locks and diagonal braces facilitate attachment from a secured position

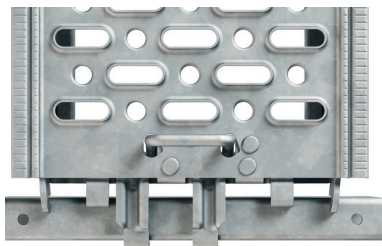
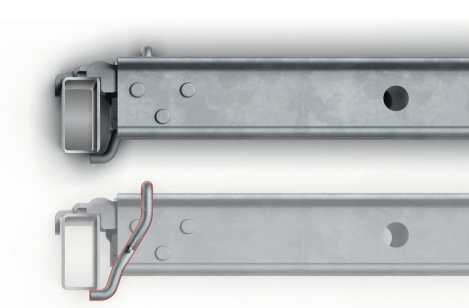
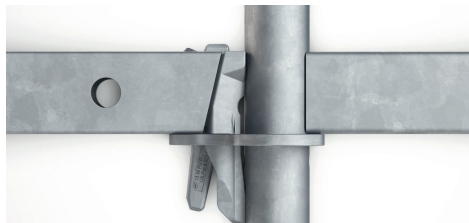


element for high flexibility



The interplay between the verticals, ledgers and decks opens up an impressive range of possibilities.

# Gravity Lock and Locking Deck – self-locking and quick to install



## Ledgers

The PERI UP Ledgers have a connection in the form of a wedge that is hooked into the node opening. The securing wedge drops into the node opening on account of its own weight and locks automatically. This principle – PERI calls it the Gravity Lock – ensures that assembly operations are quick and safe. The wedge is then secured in position with one hammer blow.

## Decks

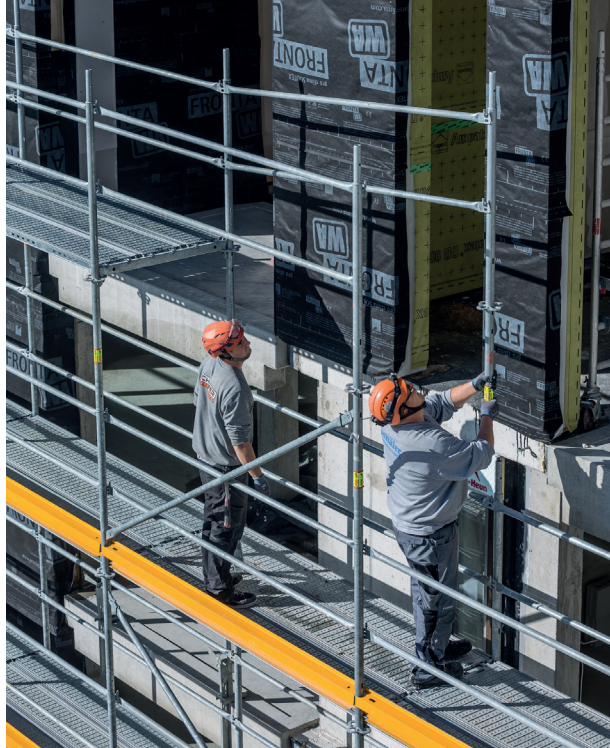
PERI UP decks are secured without requiring any additional components: a securing device integrated in the deck engages the ledger immediately after being installed and secures each deck against lifting. Another benefit of this design is that the decks can be removed bay by bay if necessary, for example to move materials into a building.

## Rectangular profile

The rectangular profile of the horizontal ledgers leads to weight savings compared to circular tubes of the same length and load capacity. The rectangular shape also reduces the risk of couplings being attached to ledgers or railings where they are not statically intended.

## Components

This simple form of quick and self-locking connection is also found, of course, in other components of the scaffolding kit, for example, in the aluminium stairs and console brackets.



Integrated safety and the guardrail in advance.



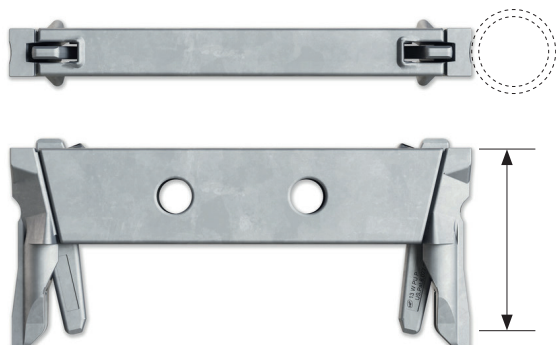
### Did you know that PERI invented the system-integrated guardrail in advance over 20 years ago?

PERI is proud to be the inventor of the guardrail in advance, in addition to a multitude of other innovations. The patent registered in 1998 makes it possible to erect the next level from a safe position – even without personal protective equipment to prevent falling from a height (PPE) or other additional components.

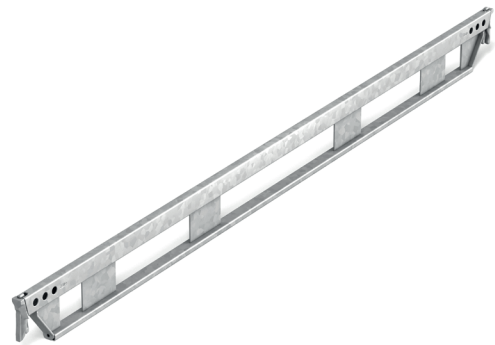
To this day, PERI has remained true to this approach and integrates many safety aspects into its standard products or into the way they are assembled.



# Horizontal ledgers – light and self-explanatory



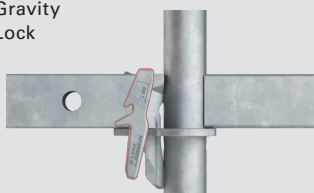
Horizontal Ledger UH in lengths ranging from 25 cm to 300 cm – increments of 25 cm or 50 cm.



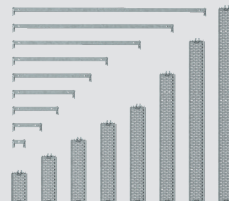
A reinforced horizontal ledger is also available from a span of 1.50 m.

- ▶ Ledger head with large contact point spacing for greater bending strength
- ▶ Gravity Lock for straightforward pre-assembly from a secured position
- ▶ Rectangular profile brings weight savings of up to 30% compared to circular profiles for the same vertical load-bearing capacities.
- ▶ The increased stiffness means that fewer diagonal braces are required

Gravity Lock



Metric grid dimensions





The ledgers consist of a combination of rectangular profiles and ledger heads. The rectangular profile not only cuts down on weight compared to the round tube, but also increases stiffness.

In addition to the Gravity Lock, which facilitates assembly from a secured position, the ledger heads also have a large contact point spacing, which builds up a high level of bending strength at the point of contact with the vertical. This additional stiffness supports high vertical loads and the number of diagonal braces used can be greatly reduced.

In addition, the design of the horizontal ledgers with rectangular instead of round profiles makes them up to 30% lighter with the same length and the same vertical load-bearing capacities.



Whether horizontal or vertical – the ledgers in the metric grid arrangement fit together as you need them to. It is possible to make savings on special-purpose and provisional solutions in a skilful way.





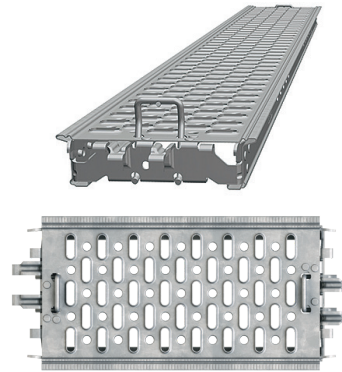
Due to the low weight, it is possible to support several decks at once.



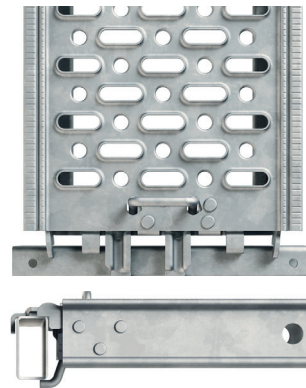
The safe assembly process is facilitated by the clearly visible deck locking mechanism.

# Decks – non-slip and self-locking

PERI UP decks have a non-slip steel surface, can be assembled without tools and are characterised by a low component weight. Other special features are that they have an integrated protection against lifting and can be laid more or less without leaving gaps. The Locking Deck is clearly visible from above and below, meaning you can quickly check whether a deck is secured from any position. Since the decks do not require any additional securing from above, there is no need to carry and fit any additional fixing and securing components.



25-cm-wide steel decks in lengths from 50 cm to 300 cm, also in increments of 25 cm or 50 cm.

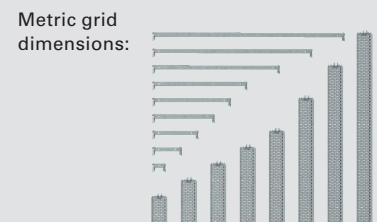
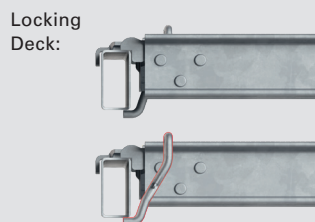


The Locking Decks are locked directly to the rectangular ledger profile.

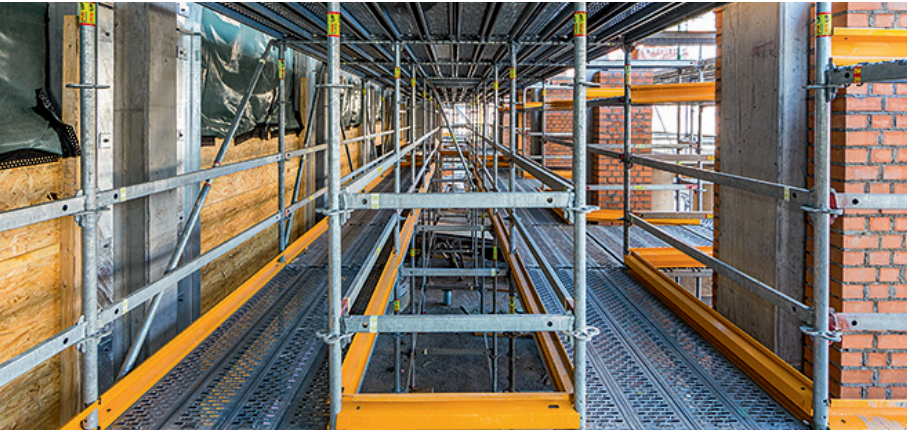


You can combine the different lengths more or less without leaving gaps and without creating trip hazards.

- ▶ The geometry of the decks and the metric grid arrangement pave the way for a closed walking and working area without any tripping hazards
- ▶ Locking deck for tool-free installation from a secured position
- ▶ No additional components or extra steps required to prevent the decks from lifting off
- ▶ It is easy to check the locking mechanism as it is visible from above and below



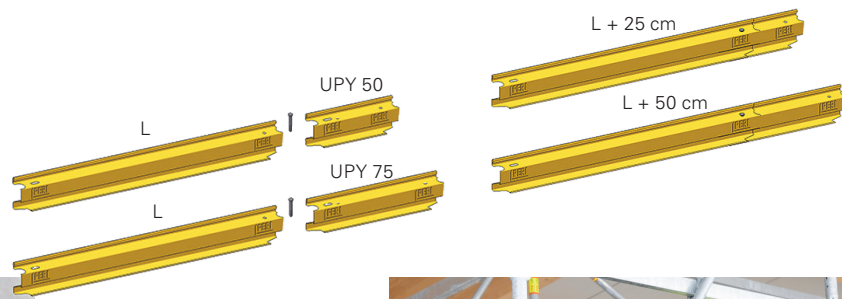
# Toe boards – quicker installation for even greater safety



End-to-end toe boards provide a reliable safety element – they offer a visible border on working scaffolds and platforms, on all sides if required. The striking signal colour makes it easy to check that they are fully installed, even from a distance.

The components are fitted together in a simple manner without any tools. This automatically prevents the toe boards from unhooking.



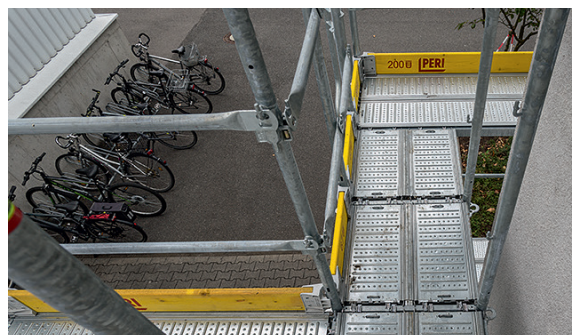


For intermediate lengths, the UPY 50 and UPY 75 toe boards can be screwed onto longer toe boards.



Accessory clamps enable you to connect two boards seamlessly if the required length is not available at that time.

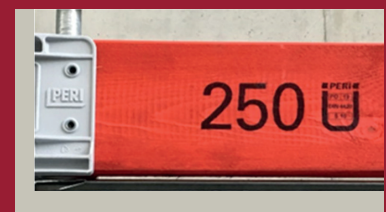
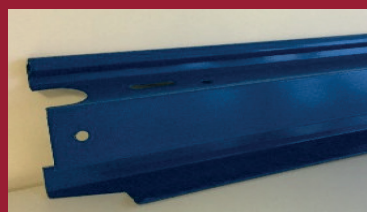
- ▶ **The components are fitted together and disconnected in a simple manner without any tools**
- ▶ **Simple, space-saving stacking procedures simplify logistics and transport**
- ▶ **A consistent metric system makes it easier to plan lengths**



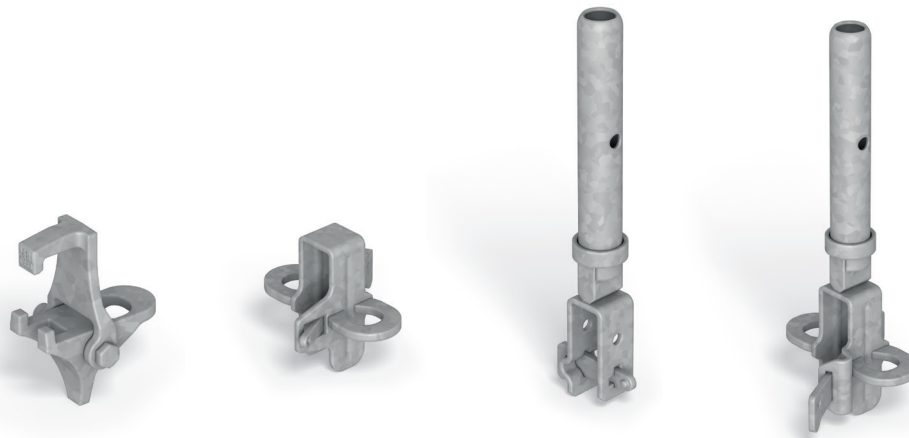
Not only are our toe boards compatible with each other, they can also be installed without tools.

### Did you know that you can also order toe boards in the colour of your choice?

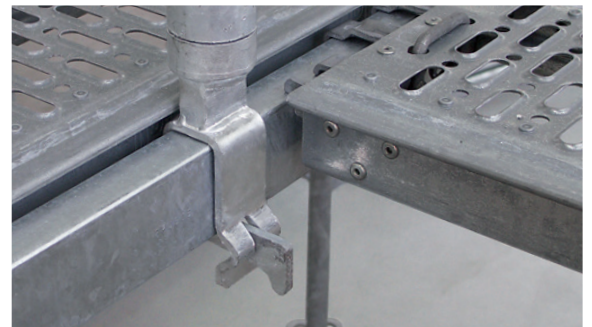
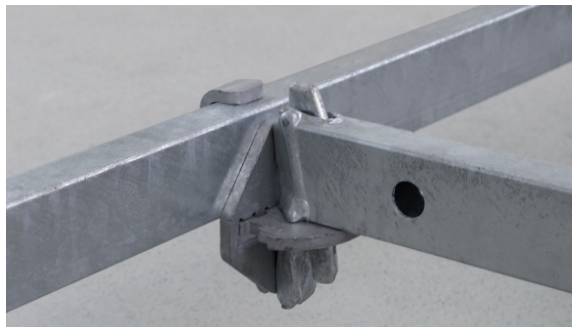
This allows you to draw attention to your corporate colour scheme and strengthen your brand. We can also print your logo.



# Connecting parts – versatile connections instead of special solutions



Our rectangular horizontal ledgers open up completely new possibilities for versatile connecting elements without having to engineer cumbersome solutions from steel tube/coupling connections. New geometries can be created in a three-dimensional manner whenever a ledger or vertical is required for expansion. Tube penetrations, complex deck structures or internal guardrails to fence in tripping hazards in working areas, can all be realised with these simple system components.

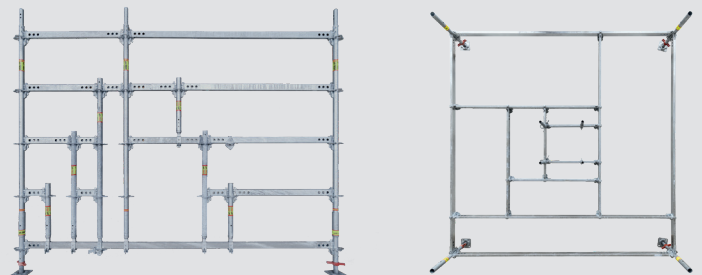




Examples for the use of connecting elements are tube penetrations, complex deck structures and internal guardrails.



Standard system components offer unexpected possibilities, both horizontally and vertically. Everything is easy to plan and assemble using a 25 cm grid arrangement.



# PERI SERVICES AND PROJECT SUPPORT





# Customised solutions and expertise that will bring you success

The PERI UP Scaffolding Kit is rounded off by a wide range of services and scaffolding experts who are at hand to meet your individual requirements. In addition to engineering services, professional project support, equipment services, training and logistics services, PERI also offers support for BIM project planning and BIM-based tender preparation.



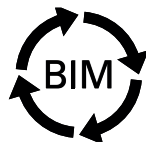
If required, PERI can support customers directly on site, for example, with professional project support. Among other things, a PERI project manager will help you to meet budget and schedule requirements.



Our experienced engineers prepare drawings, parts lists and structural calculations with the aim of using the PERI UP Scaffolding Kit in a timely, cost-effective and quality-oriented manner.



Practical and theoretical training seminars at PERI exhibition and training centres contribute to ensuring efficient and resource-optimised work operations and correct product handling.



With Building Information Modelling (BIM), PERI offers project planning that factors in time and costs in addition to a three-dimensional and animated visualisation of the processes. This leads to increased transparency and efficient execution.



Another success factor in scaffolding construction is economical and reliable logistics. You can benefit from high availability and extensive planning support from PERI.

**PROJECT SUCCESS | SAFETY | COST SAVINGS**

# The PERI UP Scaffolding Kit – the ideal solution for every user

PERI will support you in all matters – with an innovative scaffolding system, trendsetting planning tools and access to experts and personal contacts. It makes no odds whether it relates to logistics, planning, engineering or access to our logistics network. Topics such as financing or the right choice of materials go hand in hand with training for your staff and planning support for your projects.

## **Technological change**

Need help switching over to our system?

We would be happy to advise you and help you make the technological change. In addition, we can support you with financing if required, take on usable second-hand materials at attractive rates when you change technology, or conduct training courses for your employees.

## **Newcomers to scaffolding construction**

Want to get off to a flying start in scaffolding construction?

Starting a business can involve many uncertainties and challenges that are difficult to plan for. This makes it all the more important to have a versatile scaffolding system and an experienced scaffolding specialist who can provide you with the best possible support. With PERI, you will have the right partner at your side.

## **Rental scaffolding opens up more possibilities**

Looking for greater versatility without the investment costs?

The option of renting scaffolding not only allows you to cover peaks in demand, but also to reduce the variety of items in your warehouse. In addition, rental scaffolding allows you to undertake larger projects or special projects without having to buy materials outright. This allows you to tap into new customer groups or areas of application with less risk.

## **Comprehensive engineering and service portfolio**

The focus of all PERI activities is on having a collaborative partnership with customers and ensuring that we provide cost-effective project solutions – constructive, close cooperation throughout the entire project is a matter of course to us.

## **New construction, renovation, refurbishment or maintenance**

From scaffolding for traditional facades to complex systems – PERI not only offers you materials, but also a competitive solution that enables you to implement your construction project successfully.

## **From small businesses to international corporations**

The PERI UP Scaffolding Kit is used on a wide range of construction sites worldwide. The numerous benefits of PERI systems are enjoyed by global players and family-run small businesses alike. We are proud to be able to support our customers in this way and always look forward to working on these shared challenges.





**Formwork Scaffolding Engineering** [www.peri-usa.com](http://www.peri-usa.com)

