

MULTIPROP Beam MPB 24

The strong aluminium formwork beam
for the MULTIPROP system



MULTIPROP Beam MPB 24

Strong, durable and versatile in its utilization

PERI MULTIPROP Beam MPB 24, the extremely strong and flexibly used aluminium formwork beam.

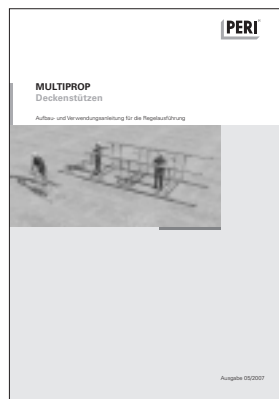
With a high bearing load of 80 kN, the MPB 24 is the perfect main beam for the MULTIPROP system. It allows full use of the maximum load-bearing capacity of the MULTIPROP post shores thus ensuring a reduction in the number of the required slab props or shoring towers. Furthermore, all structural members (props, main beams and cross beams) can be optimally used.



Statical values of the MPB 24 beam at a glance:

Permissible bearing load:	80 kN
Permissible bending moment:	15 kNm
Permissible shear force*:	50 kN
Flexural strength EI_y	1600 kNm ²

* for end support = permissible bearing load



More information can be found in the MULTIPROP brochure or assembly instructions.



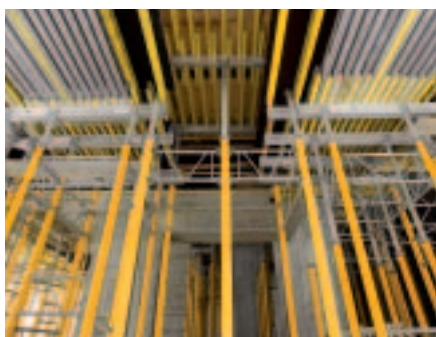
An ideal combination:
MULTIPROP props with
frames, MPB 24 beams as
main beams and GT 24 as
cross beams.



The MULTIPROP frame provides
the required stability for the edge
tables.



The MPB 24 beam used as a dou-
ble main beam for slab tables.



Depending on the slab thickness
and span, the MPB 24 beam can of
course be used as a cross beam.



With the PERI transportation fork,
tables up to 8.0 m long and weigh-
ing 1.75 t can be moved.

Simple and safe to use

Practical accessories for faster forming

Perfectly matched accessories allow faster and easier assembly and forming as well as ensuring maximum safety during use.

MPB 24 beam joint

The beams are connected by means of the Splice MPB 24 (Item no. 107348) and assembled according to the required length.



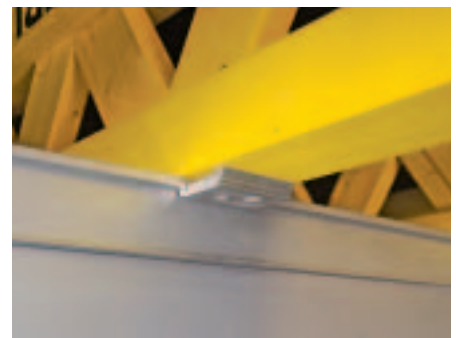
Connections are carried out with the following parts:

4 Pins \varnothing 20 x 140, galv.(Item no. 105400)

4 Cotter Pins 4/1, galv.(Item-no. 018060)

Connecting the MPB 24 with GT 24 girders

For connecting MPB 24 and GT 24 girders, different versions are selected depending on the application and type of connection.



Connections can also be made with the Quick Strap MPB 24/GT 24 (Item no. 108339). In so doing, at least 2 pieces are to be in a diagonally offset position and secured with nails.

For assembly from below, the Assembly Plate MPB 24 (Item no. 107820) is used. At least 2 pieces must be placed in a diagonally offset position here as well. The straps are secured by means of Torx screws.

With the Hook Strap MPB 24/GT 24 (Item no. 111000), a friction-locked connection is created between the MPB 24 beam and GT 24 girder.

Supporting and connecting on MULTIPROP props

For supporting and connecting MPB 24 beams on MULTIPROP post shores, various possibilities are available.



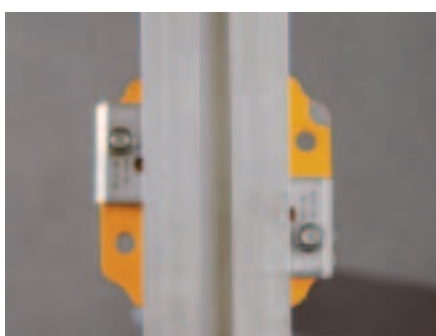
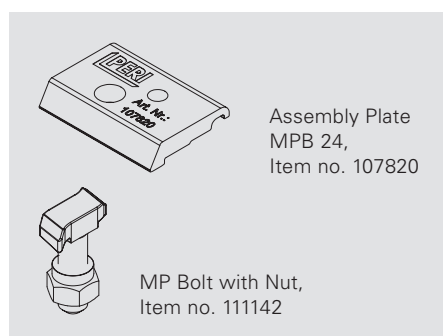
For providing stable support, the MPB 24 is mounted in the Cross-head 24 (Item no. 027890).



For use as tables, the MBP 24 beam is secured to the crosshead by means of the MP Bolt with Nut (Item no. 111142). The crosshead is mounted to the MULTIPROP using Pins \varnothing 14 x 107, galv. (Item no. 027990) and Cotter Pins 4/1 (Item no. 018060).

Connecting to the MULTIPROP

Simple and fast connections between the MPB 24 beams and MULTIPROP external or internal tube can also be made with the Assembly Plate MPB 24.



The connection to the internal or external tube is carried out with the Assembly Plate MPB 24 (Item no. 107820) and the MP Bolt with Nut (Item no. 111142).

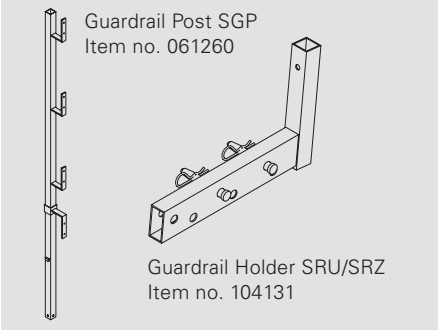
Two Assembly Plates MPB 24 per MULTIPROP must always be diagonally positioned when connecting.

MULTIPROP Beam MPB 24

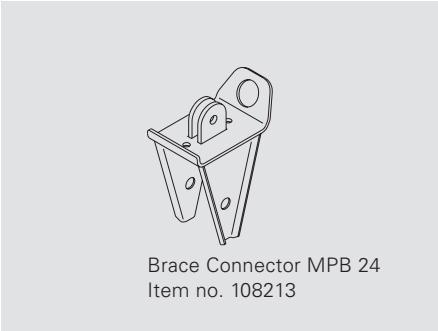
Safety also at the slab edge

Slab edge with guardrails

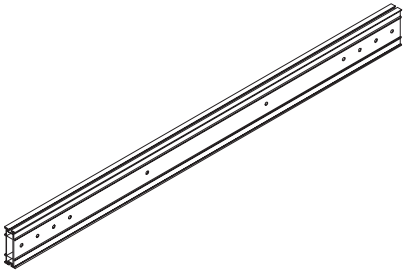
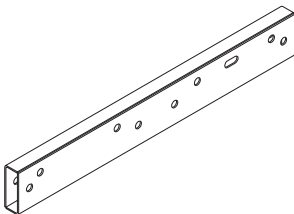


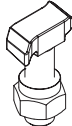
With Brace Connector MPB 24 (Item no. 108213) and Guardrail Holder SRU/SRZ (Item no. 104131)

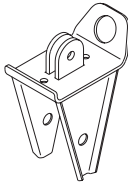
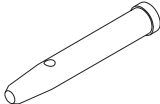

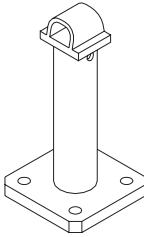
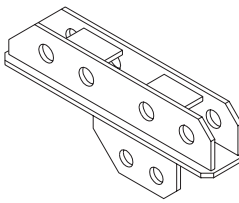


For guardrail assembly, the SRU/SRZ guardrail holder - complete with pins and cotter pins - are used together with the SGP guardrail post (Item no. 061260).



The MPB 24 brace connector allows the use of push-pull props as well as tension chains.

	Weight kgltem no.	
Alu Beam MPB 24		
MPB 24 - 300	24,00	079300
MPB 24 - 360	28,80	079360
MPB 24 - 420	33,70	079420
MPB 24 - 480	38,50	079480
MPB 24 - 540	43,30	079540
MPB 24 - 600	48,10	079600
		
Splice MPB 24	9,53	107348
		
Quick Strap MPB 24/GT 24	0,203	108339
		
Assembly Plate MPB 24	0,085	107820
		
MP Bolt with Nut	0,060	111142
		

	Weight kgltem no.	
Brace Connector MPB 24	2,59	108213
		
Pin ø 20x140, galv.	0,328	105400
		
Cotter Pin 4/1, galv.	0,030	018060
		
Compression Brace Head MP/SRU	2,60	107161
		
Connector MP/SRU	3,79	107160
		

PERI Product Range



Wall Formwork

Panel Formwork
Girder Formwork
Circular Formwork
Facade Formwork
Brace Frame



Climbing Systems

Climbing Scaffold
Self-Climbing System
Climbing Protection Panel
Platform Systems



Column Formwork

Square
Rectangular
Circular



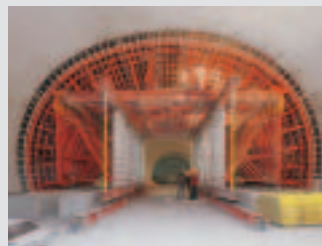
Scaffolding, Stairways, Working Platforms

Facade Scaffold
Working Platform
Weather Protection Roof
Stairway Access



Slab Formwork

Panel Formwork
Beam Grid Formwork
Girder Formwork
Slab Table
Beam Formwork



Bridge and Tunnel Formwork

Cantilevered Parapet Carriage
Cantilevered Parapet Platform
Engineer's Construction Kit



Shoring Systems

Steel Slab Props
Aluminium Slab Props
Tower Systems
Heavy-Duty Props



Services

Formwork Assembly
Cleaning / Repairs
Formwork Planning
Software
Statics
Special Constructions

Additional Systems
Plywood
Formwork Girders
Stopend Systems
Pallets
Transportation Containers



PERI GmbH Formwork Scaffolding Engineering

P.O. Box 1264
89259 Weissenhorn
Germany
Tel +49 (0)7309 9 50-0
Fax +49 (0)7309 9 51-0
info@peri.de
www.peri.de