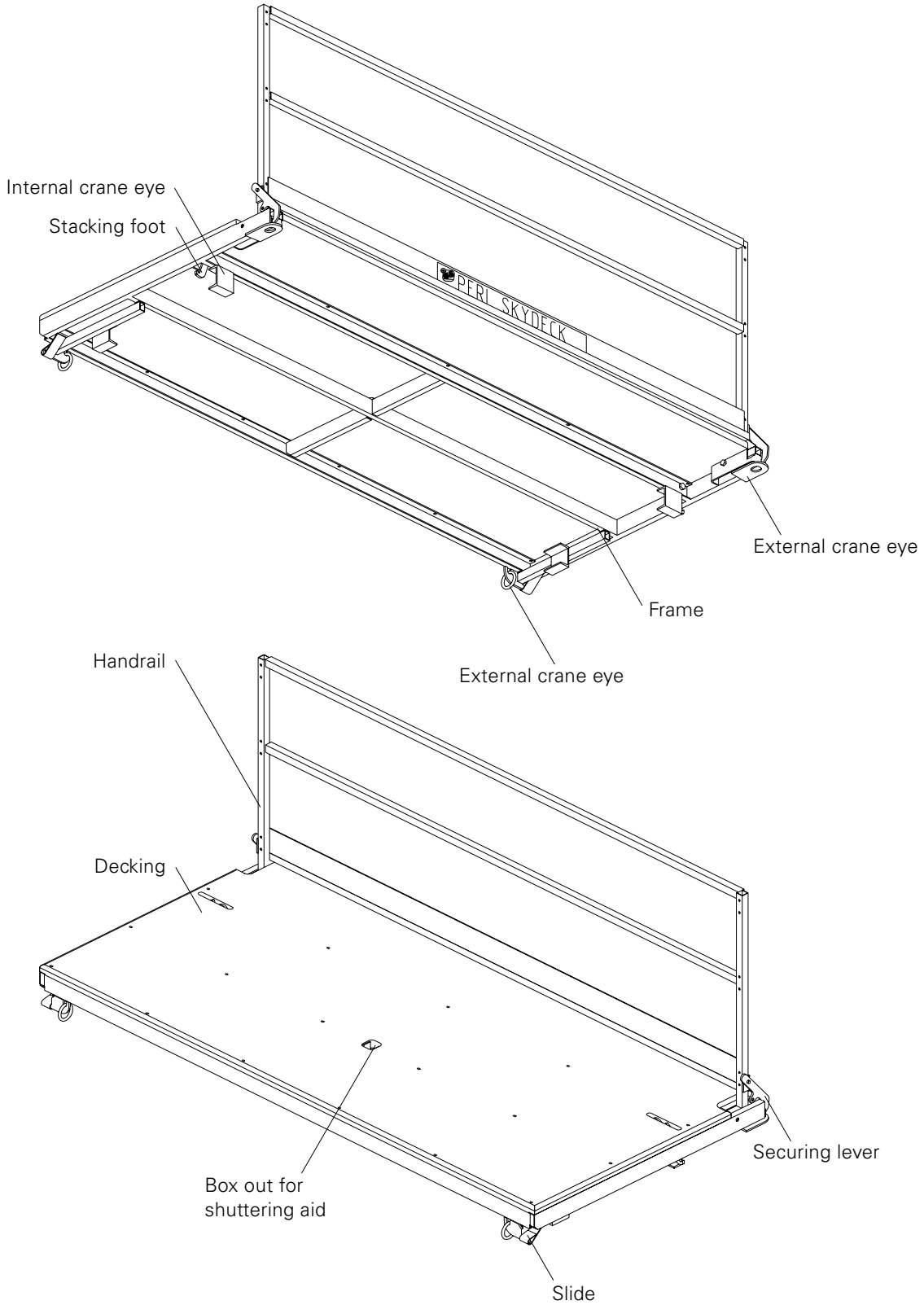


SKYDECK Platforms SDB

Assembly Instructions for Standard Configuration



Overview



Contents

Overview	1
Introduction	2
Product features	2
Intended use	2
Notes	3
Assembly and dismantling	
A1 Storage and transportation	4
A2 Edge areas	5
A3 Corner tables	6
A4 Cantilevers	9
A5 Platform erection	11
A6 Striking	12
B Application	
B1 Working and safety scaffold	13
Components	14

Legend



Important
Safety Instruction



Visual Check



Hints



Site Tips

Introduction

Introduction

These assembly instructions have been designed to ensure fast and simple erection.

They contain instructions for the assembly of the platforms along with the required safety arrangements, guidelines and notes regarding all working steps on the construction site, as well as diagrams and tables for simple planning and work preparation.

They supplement SKYDECK assembly instructions and apply to slabs $D \leq 40$ cm. For slabs up to $d = 95$ cm, see B2 SKYDECK Assembly Instructions.

Product Features

The platform is a prefabricated, folding scaffold platform for use as a working and safety scaffold according to DIN 4420 Part 1. Immediately after concreting, it is available as safety scaffold to provide safe and secure working conditions.

It is classified according to Scaffold Group 2 (permissible loading 150 kg/m²). It is required for concreting floor slabs in skeleton construction (high-rise buildings) and for securing the open edges of the SKYDECK slab formwork system. The 1.30 m wide SKYDECK platform with guardrails provides safe working conditions on the slab edges.

The platform consists of:

- 39 mm thick plywood decking fixed to a supporting frame.
- a folding handrail unit that is screwed to the supporting frame as a framed construction and held by a securing lever when opened up.

The platform can be used on the edge of the floor slab as well as in the corner table area. For the various applications, three lengths are available.

SDB 150	L = 1.50 m
SDB 225	L = 2.25 m
SDB 300	L = 3.00 m

The SDB 225 platform can also be used for side cantilevers of 750 mm to the right or left of the main beam.

Assembly of the platform takes place with the crane from the outside the building. It is set down on the cantilevered main beams and locks into the openings in the beams.

All steel parts are galvanized, all safety components are red powder-coated.

Intended use

These instructions for use contain information for the handling and the proper use of SKYDECK platforms.

Any other use requires the express permission of PERI. Supplementary assembly instructions are likewise required.

Only materials in good working condition may be used.

All laws and safety regulations of each country where our product is used are to be observed at all times.

The product has been designed for commercial use only.

These assembly instructions as well as PERI offer and implementation plans do not replace specific construction site work and assembly instructions.

These assembly instructions are directed at site personnel who work with the SKYDECK Platform.

Non-observance of assembly guidelines and safety information can lead to accidents and damage to materials.

Hints

General

For use within Scaffold Group III, a site record maintained, see B8 SKYDECK assembly instructions.

This confirms that:

- the props have been erected in a plumb-vertical position
- the immovability of the system in a horizontal direction at the level of the formlining is ensured
- bracing for the cantilevers has friction-locked connections.

Spray formwork on all sides with PERI Bio Clean before every use. After concreting, spray off all traces of cement slurry with water.

Immediately after striking, clean formwork panels and spray sides with PERI Bio Clean.

The SKYDECK platform secures the free standing edges and provides a high level of safety at the slab edges.

For quick moving of SKYDECK Platforms, the SKYDECK lifting fork is to be used.

For safe transportation of SKYDECK components, matching pallets are available.

Obligations of the operator

1. The operator must ensure that all required instructions are at the user's disposal (including the assembly instructions).

2. All persons working with the product must be familiar with the content of these instructions and the safety information.

3. Persons who cannot or have great difficulty in reading and understanding these instructions must be informed and then be fully briefed by the operator.

4. The operator has to ensure that assembly, adjusting, dismantling, moving and correct use of the product is supervised by trained and authorised personnel.

5. The operator is obliged to provide all prerequisites to ensure compliance with applicable safety regulations.

General Safety Information

1. SKYDECK platform components are to be checked before every use to make sure they are in good working order! Damaged parts are to be replaced by PERI original components!

2. When erecting the SKYDECK Platform, ensure that all applied loads are safely transferred! Stability must be guaranteed at all times!

3. The MULTIFLEX is to be assembled on even, clean and sufficiently load-bearing surface!

4. Stability must be guaranteed at all times!

5. Safety fixtures and fittings must never be removed!

6. Do not exceed any loads during the appropriate permissible use of the product.

7. Provide safe working areas for assembly, adjusting and dismantling as well as moving!

8. Safe access must be provided for site personnel to reach all working areas!

9. Working areas must be secured through suitable measures to prevent any risk of falling!

10. Forming operations must be carried out safely! During unfavourable weather conditions, appropriate safety precautions are to be in place, e.g. secure formwork construction against lifting! Site personnel should keep away from areas at risk!

11. Striking only takes place when the concrete has sufficiently hardened and site management has given the go-ahead!

12. Striking is only to be carried out with tools which do not damage the components of the SKYDECK platform! Use suitable tools and equipment during striking and moving! Do not loosen formwork elements with the crane!

13. During striking, do not compromise the stability of the components, scaffolding and formwork elements in any way!

14. Only transport construction units with lifting equipment if suitable attachment points are available!

15. The weight of the components being lifted must not exceed the permissible load-bearing capacity of the hoisting gear!

16. Remove lifting equipment from those components being moved only when they are in a stable position!

17. Construction elements and pallets are to be stored and transported so that their position does not unintentionally change! Handle construction elements with care!

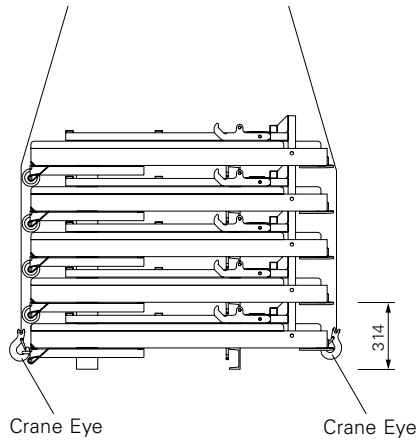
A1 Storage and transportation

The platforms can be stored in stacks of up to 5 elements.

Weights:

- SDB 300 184 kg each
- SDB 225 155 kg each
- SDB 150 108 kg each

Stacks of platforms can be lifted with a fork-lift truck from the long side. The stack can be moved with the crane by means of the external crane eyes. (Fig. 1)



When loaded on to trucks, they should be evenly bound with straps, but not too tightly.

Preparation for use:

Take individual platforms from the stack, fold open the handrail and the securing lever drops down and secures it in a vertical position. (Fig. 2)

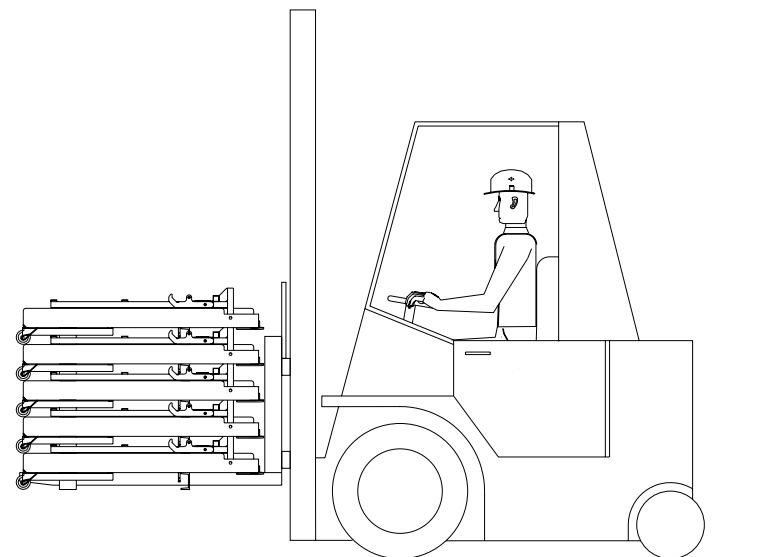


Fig. 1



It may be necessary to secure this by hand.

For transportation by crane, the platform is attached to the concealed crane eyes with the two-sling lifting gear and brought to the place of use. (Fig. 3)

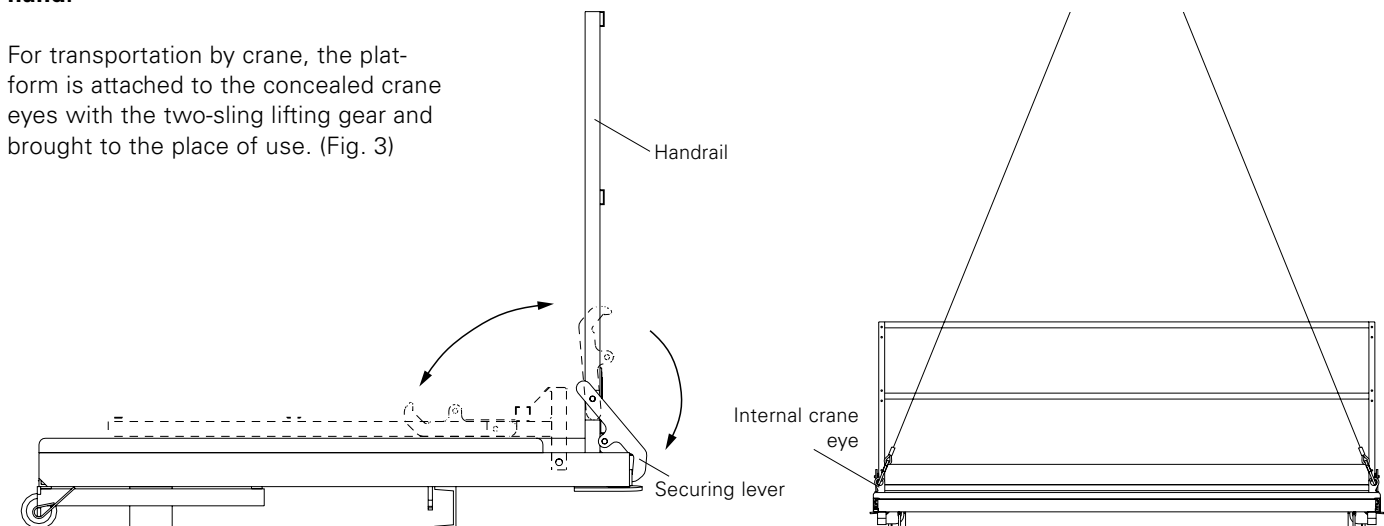


Fig. 2

Fig. 3

A2 Edge areas

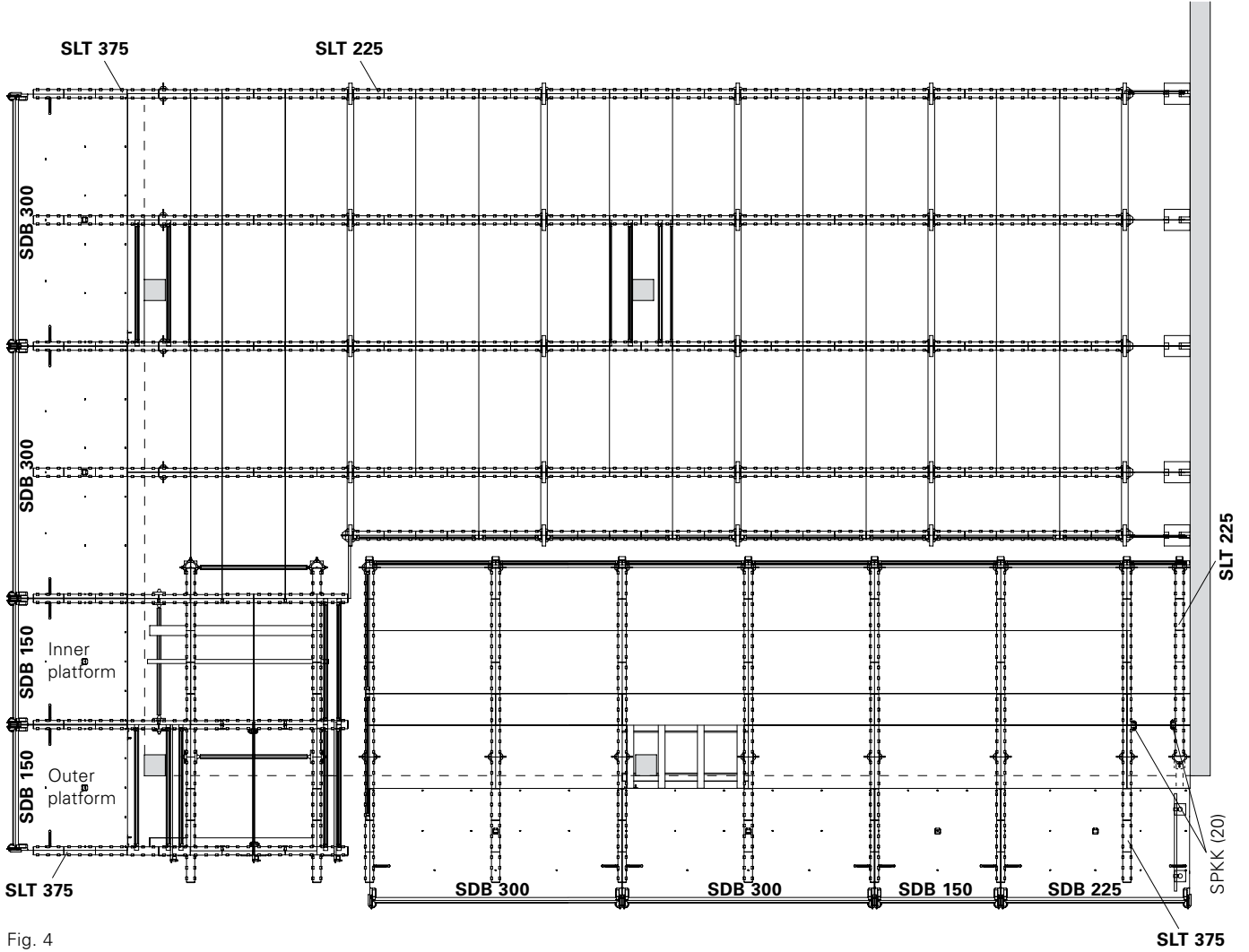


Fig. 4

A3 Corner Table

If the construction area includes an external corner, formwork assembly should start from here.

The corner table is assembled on the previously concreted slab and moved into position with the crane and transportation fork. The table is then secured against tipping. (Fig. 4)

Follow Instructions for Use, SKY-DECK Lifting Fork!

MULTIPROP props and MRK frames are used for supporting the corner tables.

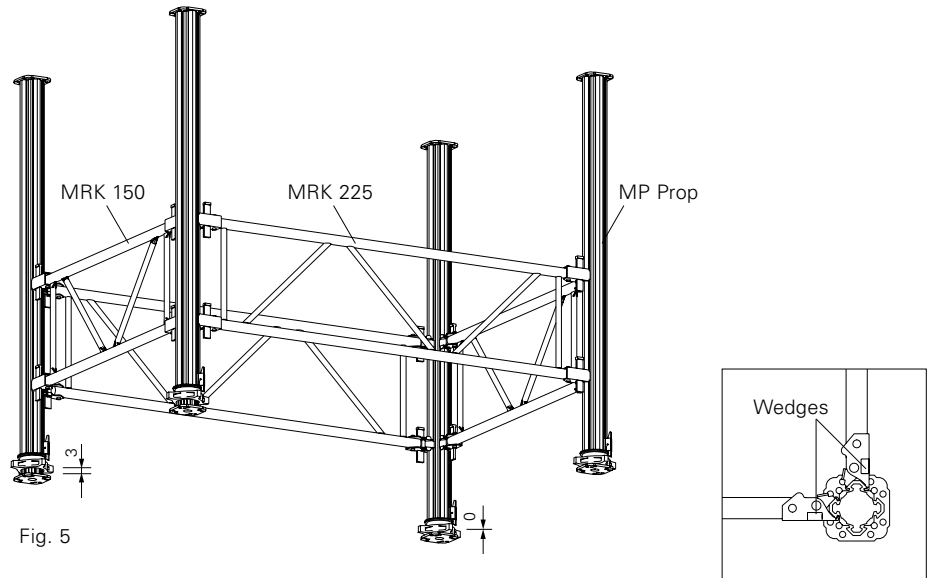


Fig. 5



The inner spindles of the two props on one short side of the supporting frame are extended by 30 mm. The spindles of the opposite legs remain fully retracted.

The MRK frames must be fixed to the MULTIPROP legs at the same height above the slab level with the locking wedges facing outwards.

Four MULTIPROPS with their inner spindles are placed in a 1.50 m x 2.25 m grid and formed into a base frame using MRK 150 and MRK 225 frames. (Fig. 5)

Insert two Prop Heads SSK in the extended props. Insert a Hex bolt M12 x 140 DIN 6914 into the groove on the underside of each of two SLT 375 Main Beams to fix the 80x120 mm timbers. Mount SLT 375 Main Beam and set the beam down on the front prop.

Position an STV Table Connector into the main beam groove of each SLT 375 main beam and make a secure connection between the front props and the SLT 375 main beam by tightening the ring bolt on the STV Table Connector. (Fig. 6)

Main Beam Support SSK (shown without table connector)

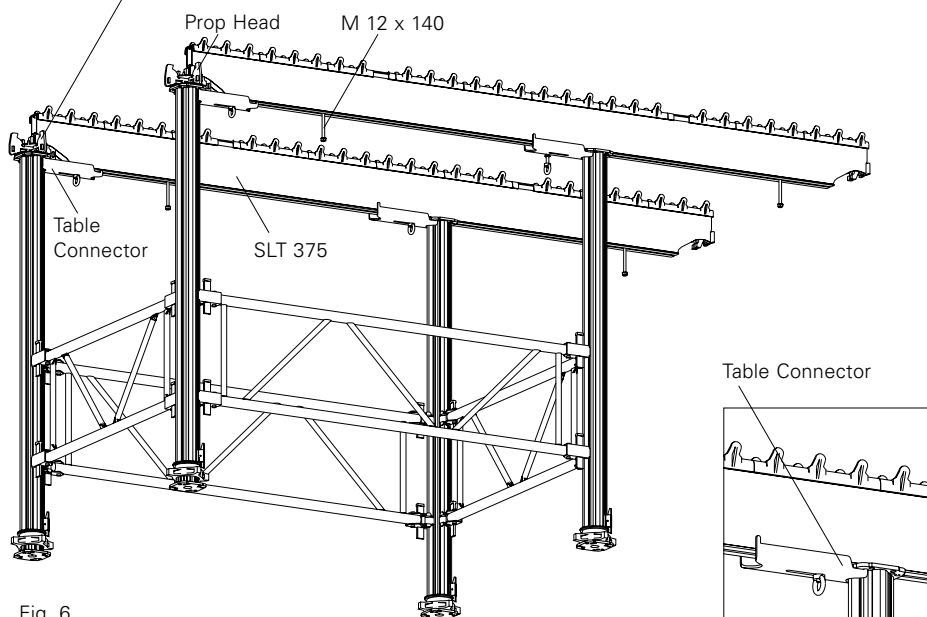
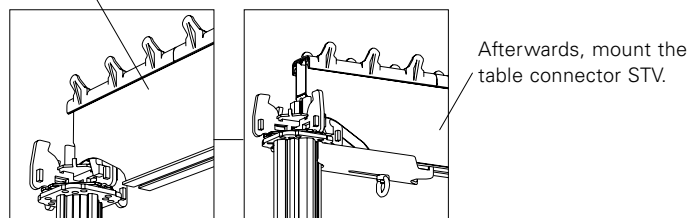


Fig. 6

A3 Corner table

Position three SLT 375 main beams transversely with 1.50 m spacings on the already assembled main beams. All three beams extend 375 mm beyond the lower rear beam. The inner and outer transverse beams are also set in 375 mm from each end of the main beams below.

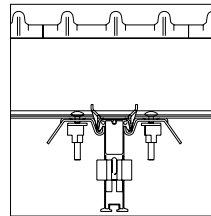
Insert two SAO Tension Sleeves in the groove on the underside of the three transverse beams prior to positioning. Two SAO Tension Sleeves are required at each main beam intersection in order to connect the top and bottom main beams.

The SAO Tension Sleeves required on the outer side of the connections can be inserted from the ends of the main beams.

Connect the beams together by tightening the tension sleeves.

Two 80/120/2250 timbers (site supply) are fixed to the underside of the main beams using the M12 x 140 hex. bolts and nuts with washers, diagonal bracing could be required. (Fig. 7)

They are required when moving tables with the SUG transportation fork.



Tension Sleeve SAO

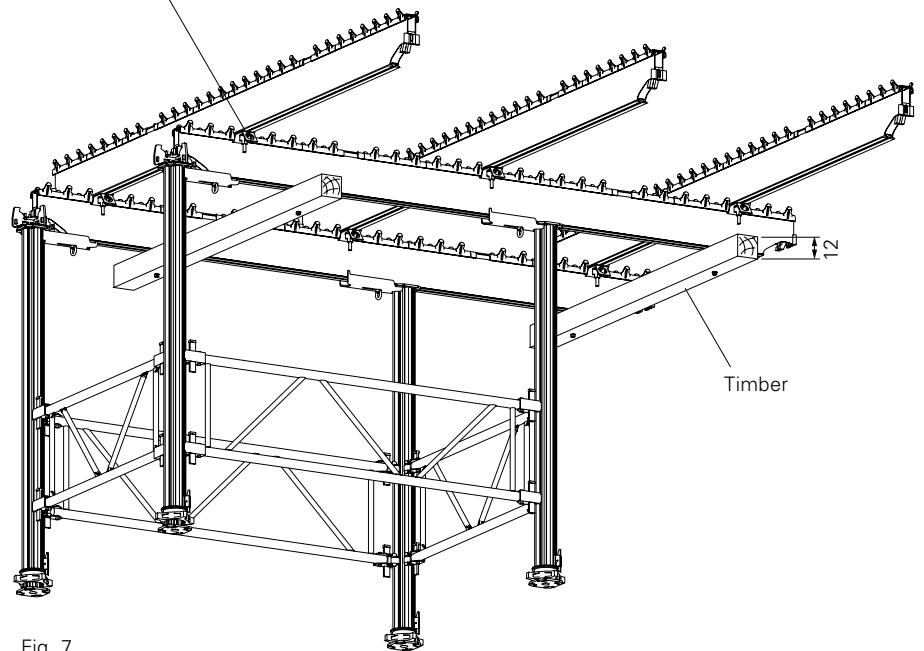


Fig. 7

Insert the SDP 150 x 75 panels from below and secure to the main beams with two SPK Panel Clamps per panel. The first panel (rear) is set back 375 mm. The middle panels are fixed to the front outer panels with two SPKK Panel Wedge Clamps.

Whilst inserting the panels on the side cantilevered edge, install the SGH Handrail Holder. Handrail Post and handrail boards complete the safety rail unit. (Fig. 8)

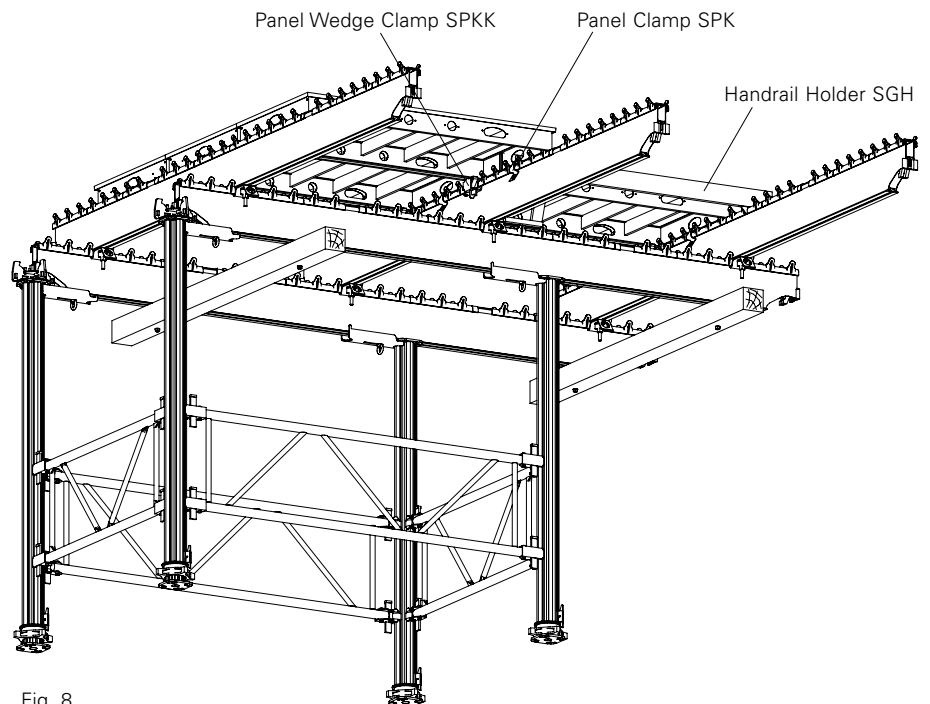


Fig. 8

A3 Corner Table

The two upper beams that remain inside the building are additionally supported using MULTIPROPS and stiffened with MRK 150 frames. The props are fixed 2.25 m from the rear of the main beam with STV table connectors. The MRK 150 frames should be connected to the MRK 225 frames with at least one 2.25 m long scaffold tube and three scaffold couplings. (Fig. 10)

The inner platform can already be positioned at this point. (Fig. 9)

Raise the corner table using the SKYDECK Transportation Fork and extend the props to the required length. Position the corner table on the corner of the building so that the front props are as close as possible to the edge of the slab.

For safety reasons, infill areas around the corner column of the building can only be formed once the SKYDECK platforms have been fixed in place!



Do not erect formwork or step on cantilevered platforms before the anchor chains have been securely fixed.

Anchoring the corner tables:



Use anchor chains for securing the tables to the floor. The lower SLT 375 main beams are each secured with an anchor chain. For this purpose, hook the chains on the Table Connectors. The first upper and inner SLT 375 main beams also have an anchor chain. The middle upper main beam must be held in position with two anchor chains. Use SAO Tension Sleeves for this. See page 8 for anchoring.

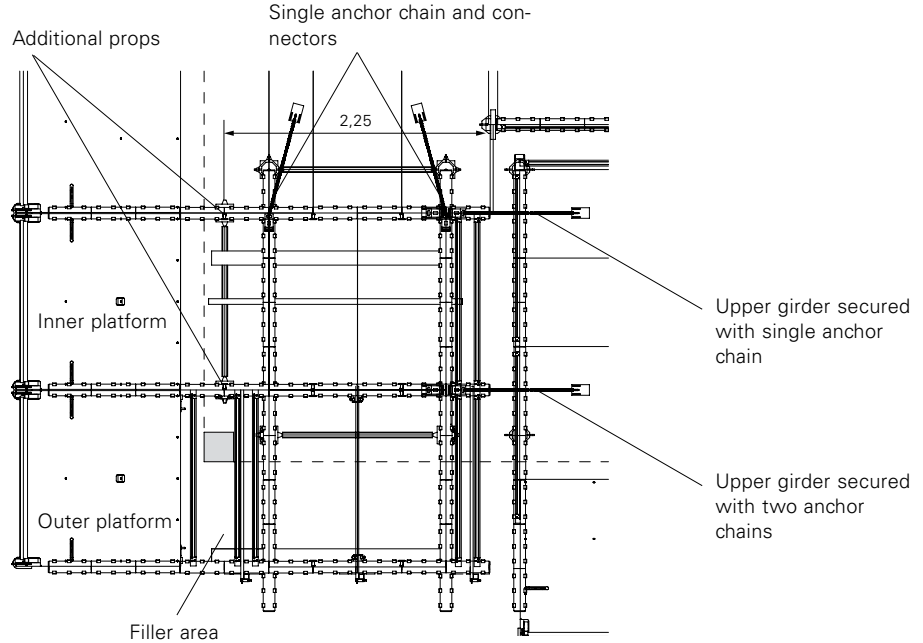


Fig. 9

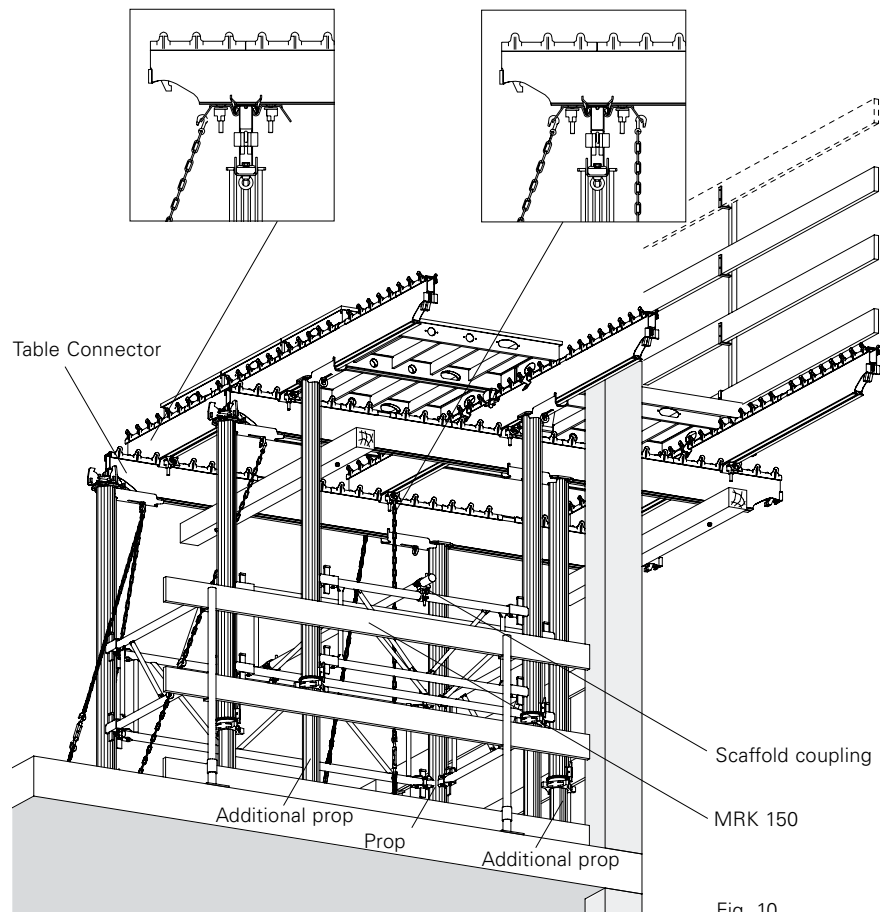


Fig. 10

A4 Cantilevers

The main area of application is when using the platforms in connection with individual SLT 375 main beams.



Do not erect formwork or step on cantilevered tables before the tension chains are securely fixed.

After erecting the corner table (Area I), further formwork is erected in Area II with main beams that are laid parallel to the upper beams of the corner table.



A handrail is to be provided on the exposed slab edges!

Place prop with drophead SFK at slab edge and secure with tripod. Connect main beam SLT 375 and support by means of a second prop with prophead SSK after 2.275 m at the edge of building.



The prop must be in line with the props of the corner table. (Fig. 11) (Formed exclusively with prophead. Position front props with 2.25 m spacings.)

The main beam SLT must be connected in the middle of the main beam support of the head. The main beam connection surrounds the main beam support head. (Fig. 11a)



Insert further props and beams at appropriate spacings, depending on the floor thickness. The panels must thereby be inserted immediately from below in the area of the SLT 373 main beam. With for example PERI Stripping Cart ASW 465.

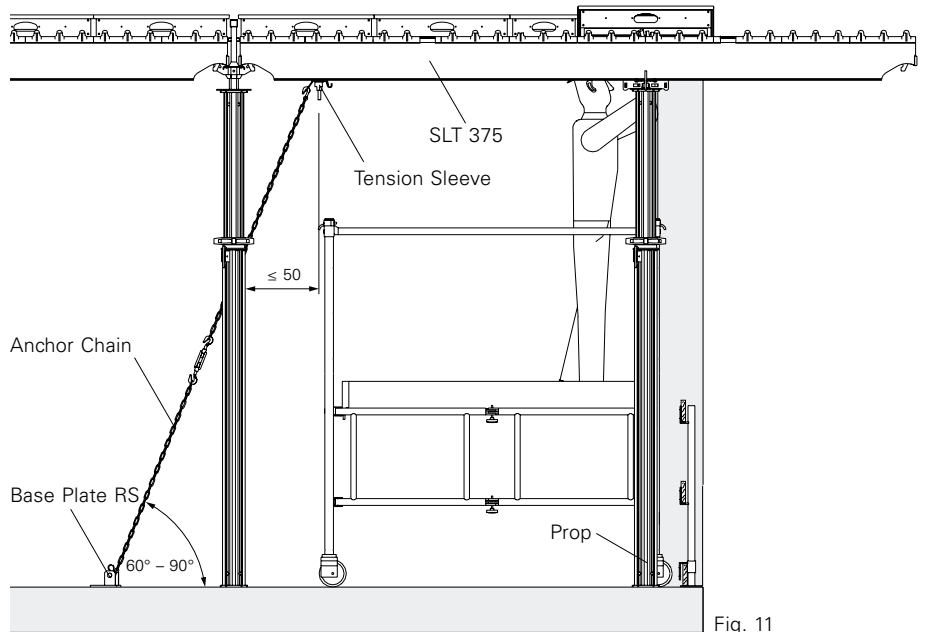


Fig. 11

2,275*
*For frame installation: rotated SSK and MRK 230 or MRK 225

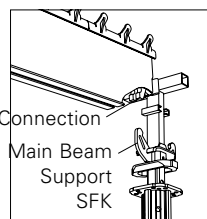


Fig. 11a

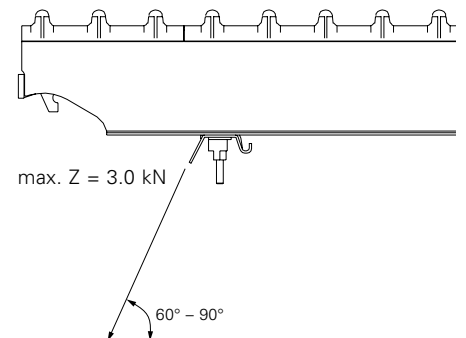
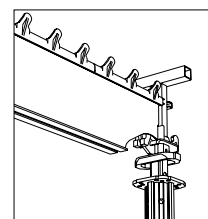


Fig. 11b



In areas where the 1.50 m grid is interrupted by columns etc., a 750 mm bay may be inserted. SAO Tension Sleeves and Anchor Chains are used to secure against tipping:

Insert SAO Tension Sleeve in the groove on the underside of the main beam and secure in place using the cam nut not more than 500 mm from the non-cantilevered end.

Fix the Anchor Chain, complete with turnbuckle, to the Tension Sleeve connector and then fix securely to the floor slab.

Fix anchor assembly to the floor slab with using, for example, an RS Base-plate (Item no. 028100) and suitable fixings with a permissible oblique tension force of ≥ 3 kN (e.g. PERI Multi-Monti MMS 20 x 130). (Fig. 11b) Chains can be joined together to provide extensions as required.

A4 Cantilevers

Start slab formwork erection on open-edged bays (III) from previously constructed walls or columns and work towards the corner area (II).



Handrails are to be fitted to all exposed slab edges!

When all edge areas are formed, the floor area is formed in the usual way with SKYDECK (IV).



For example: casting segment/ stop end
Regarding the tightness of the panel joints, the panels on the last main beam can be secured with panel wedge clips SPKK (20).

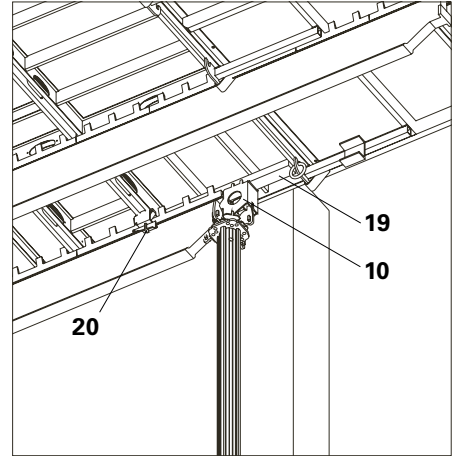


Fig. 12a

- View from below: (Fig. 12a)
- End support SSL (10)
 - Timber supplied on site 70/40 x 700 mm (19)
 - Panel wedge clip SPKK (20)

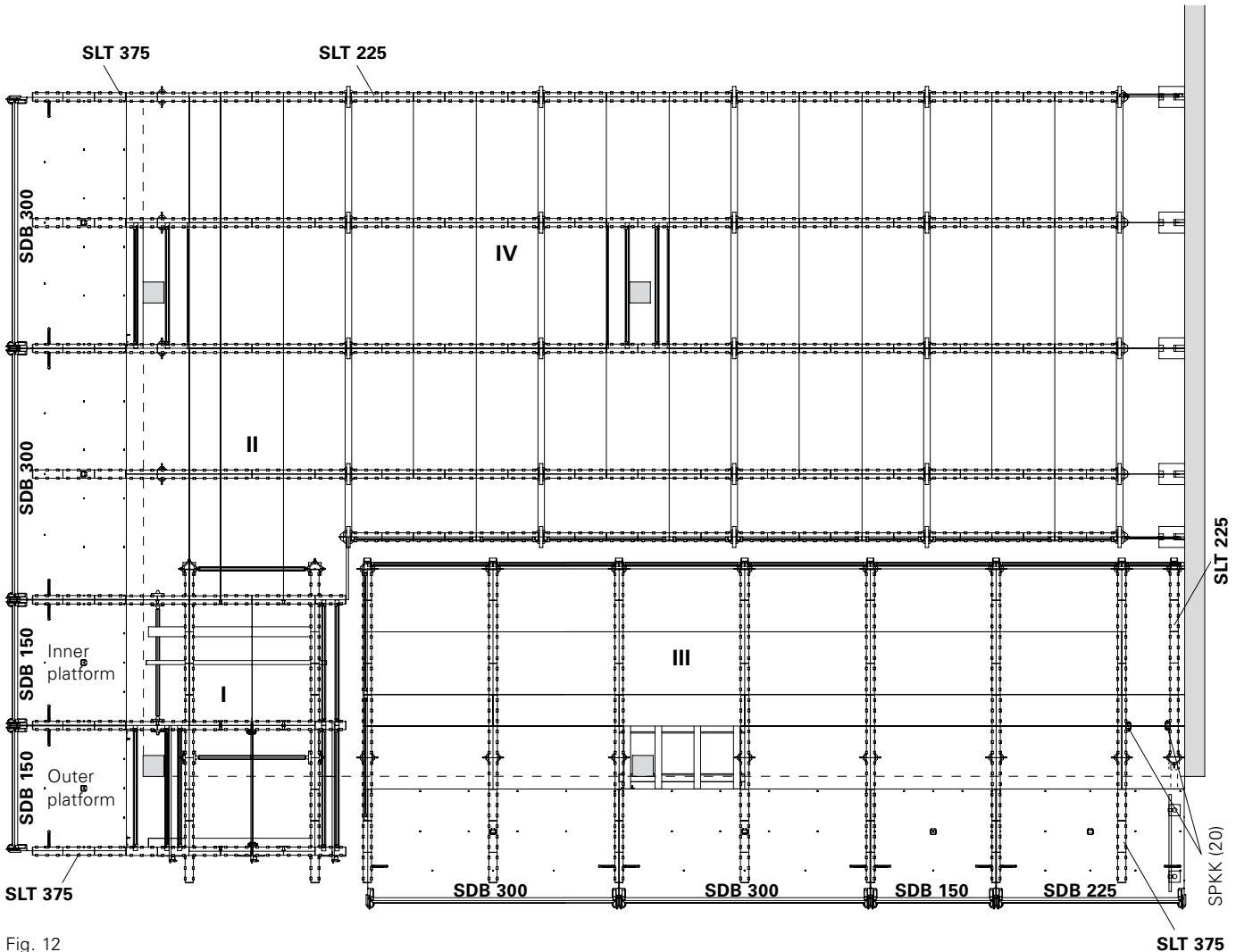


Fig. 12

A5 Platform erection

Platforms are fitted with handrails, same as panel formwork!



Cantilevered platforms should not have formwork erected or be stepped on before being firmly secured with tension chains.

Platform installation begins in an area where there is no risk to personnel falling to the side or rear (e.g. Area (II), ground plan). (Fig. 12)

With the help of the SSH Erection Aid, located in an opening on the platform decking, the operator pulls the platform into position at an angle from above in front of the last panel on the cantilevered main beam.

By lowering the platform into place the locking mechanism will automatically secure the platform to the main beams and make it safe against tipping. The slide on the underside of the platform is secured via the beam inserts on the SLT 375 Main Beam. The platform is now in a secure position.

At the same time, the platform is secured against moving in the longitudinal direction of the beam by engaging the slide safety device between the ears of the beam's toothed bar.

Once the crane slings are released, the crane hook is lowered and the securing hook grips under the self-draining edges of the main beam. The platform is additionally secured against tipping and unintentional lifting. (Fig. 13)

Likewise, the other platforms stages are used with the shuttering aid.



For difficult assembly situations, e.g. strong winds, it may be necessary to use a second SSH Shuttering Aid to install the platforms. (Fig. 14)

Infill areas less than 750 mm wide should be completed with site-supplied materials (e.g. 240 x 45 mm scaffold boards).

Handrails for infill areas are created using handrail boards 30 x 150 mm and toe boards (use nail holes platform guardrails) or standard scaffold tube and fittings.

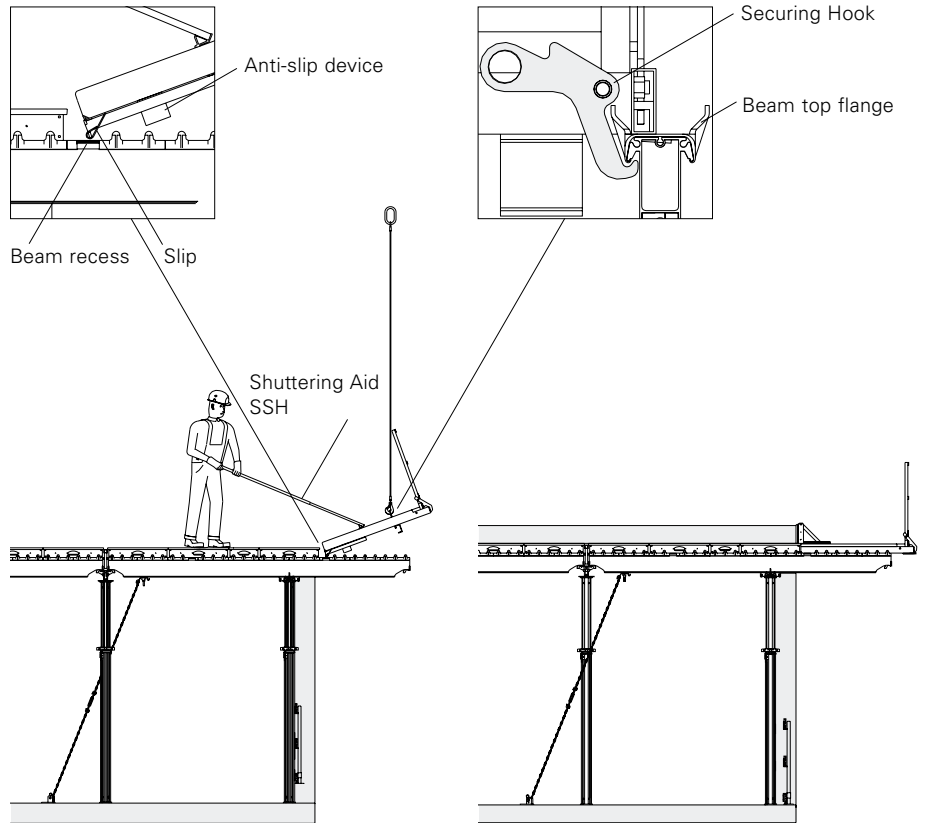


Fig. 13

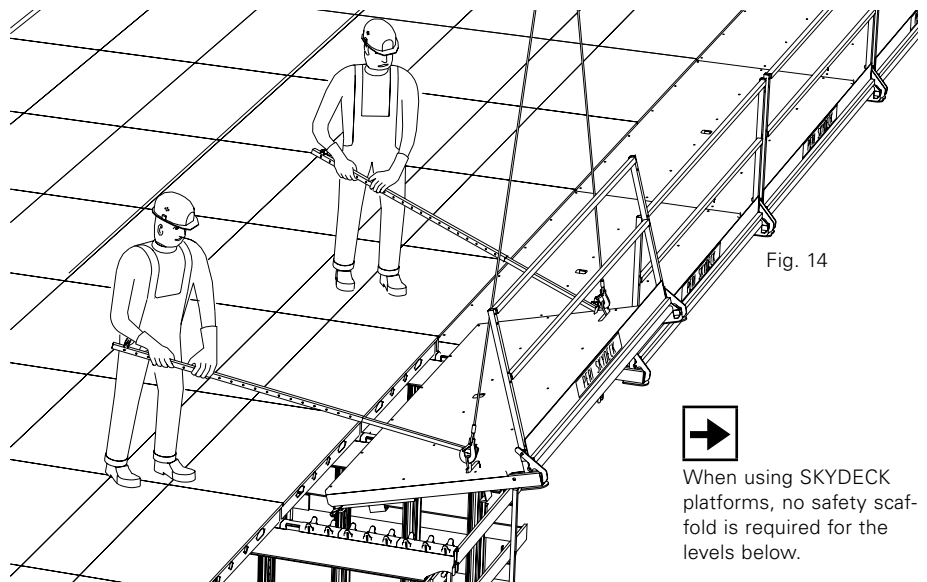


Fig. 14



When using SKYDECK platforms, no safety scaffold is required for the levels below.

A6 Striking



Do not loosen the tension chains!

Strike the SKYDECK slab formwork from Area (IV) of the ground plan (Fig. 12) in the direction of the slab edge up to the last but one bay of the cantilevered edge area.

Lower the drophead of the cantilevered SLT 375 main beam. Do not lower those props directly supporting the SLT 375 main beam. Strike the panels and main beams in the last but one standard bay. (Fig. 15)



After this, wedge the drophead again in order to ensure there is a stable edge area.

Attach platforms no longer required to the crane eyes of the platform decking by means of the 2-sling lifting gear. The securing hook is released. The platforms are now moved to the next place of use. (Fig. 16)

Once the infill area around the column is removed, the working platform can be lifted.

If there are no parapet walls, guardrails must be installed on all exposed edges.

The remainder of the formwork system can be removed from below with mobile scaffolding.

Lower tables.
Move the SKYDECK Transportation Fork under the timbers of the table. Loosen the tension chains on the corner tables.

Move the table horizontally in the direction of Area (III).

In areas with parapet walls, retract or remove the props and move the upper part of the table separately.

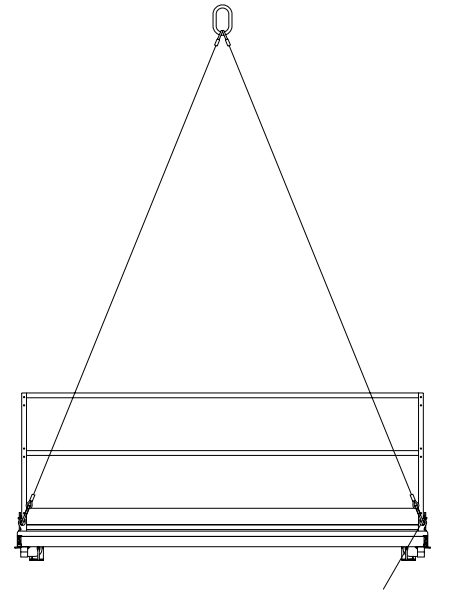


Fig. 16

Crane eyes

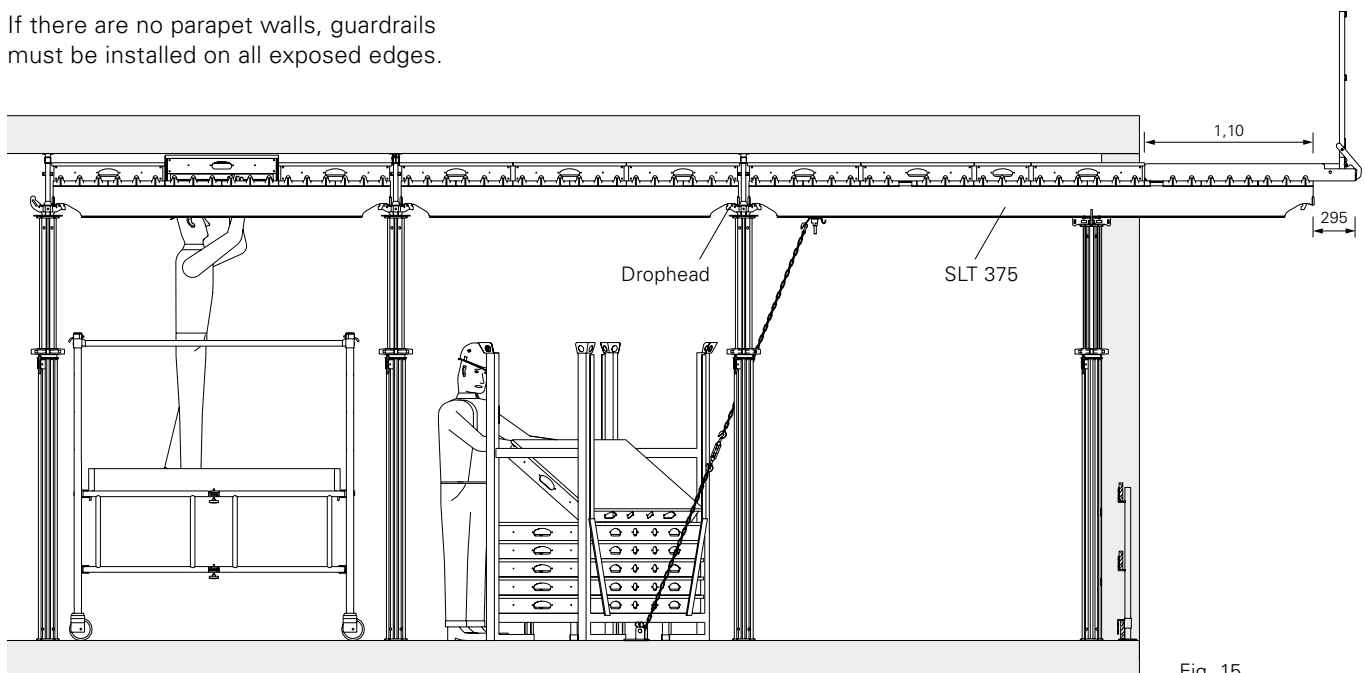


Fig. 15

B1 Working and safety scaffold

Use the SDB 300 for longer slab sections.

Also for corner tables, the SDB 300 platform can be used instead of the SDB 150 platform.

Use the SDB 225 as a compensation platform.

The SDB 225 has 4 slides on the underside which means the platform can therefore cantilever to the right or the left by 750 mm if required. This is possible at interruptions such as columns, offset walls or at an external wall. (Fig. 17)

The various platforms in use form a working and safety scaffold according to DIN 4420, part 1. With 1.30 m platform width they fulfill the requirements for a safety scaffold for a maximum of 3.0 m falling height that is required for the construction of supports or columns. (Fig. 18)

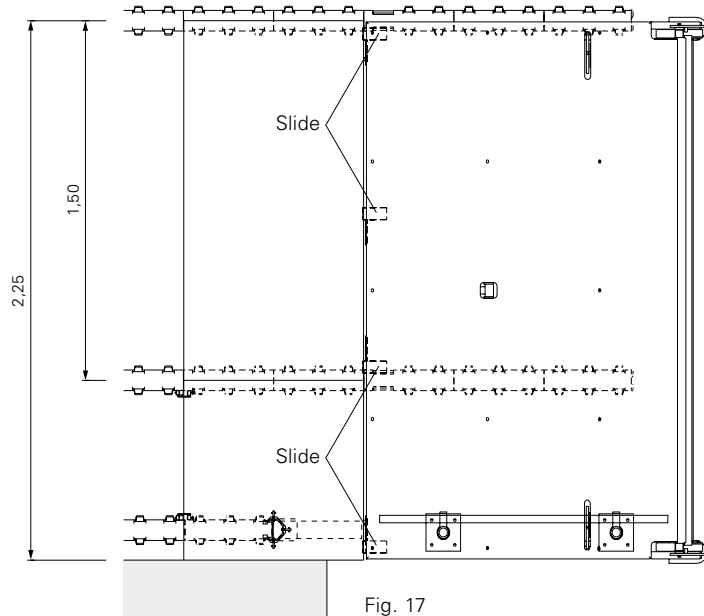


Fig. 17

DIN 4420 T1, Table 9:

Falling height H [m]	to	2,00	3,00
Min. spacing B [m]	min.	0,90	1,30

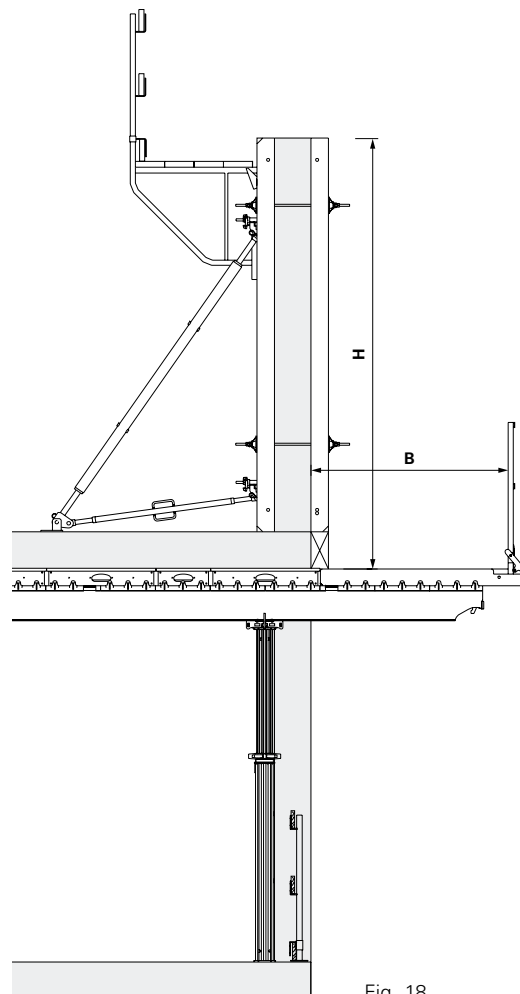
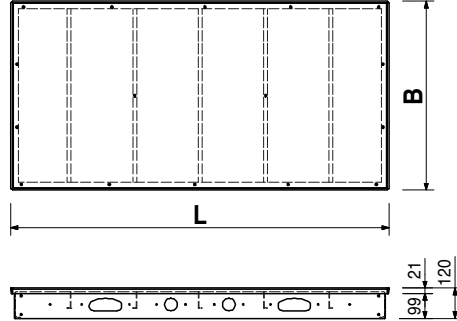
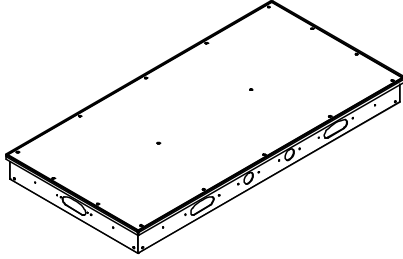


Fig. 18

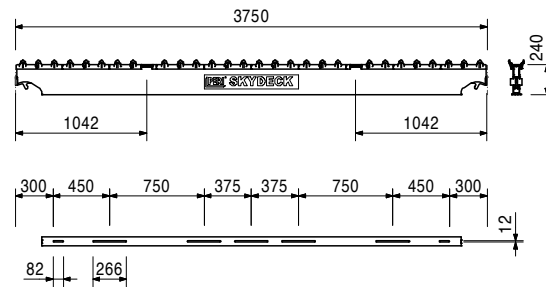
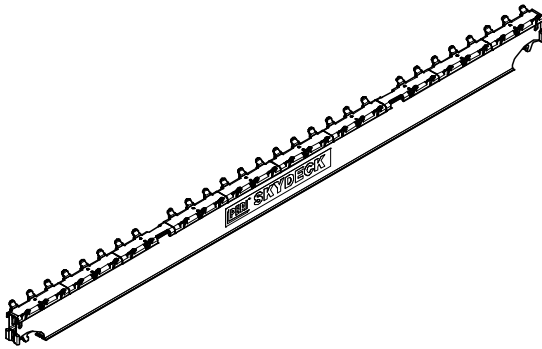
SKYDECK Panel Slab Formwork



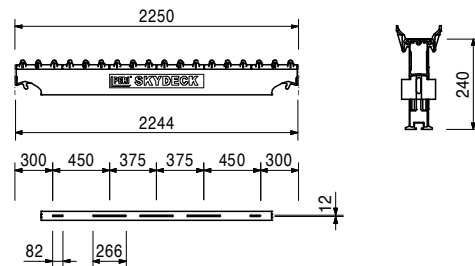
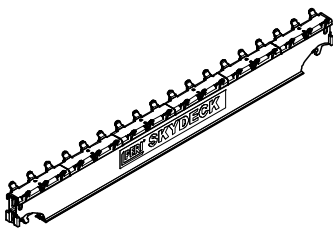
Item no.	Weight kg		L	B
		Panels SDP		
061000	15,500	Panel SDP 150 x 75	1500	750
061011	11,700	Panel SDP 150 x 50	1500	500
061020	9,780	Panel SDP 150 x 37.5	1500	375
061010	8,560	Panel SDP 75 x 75	750	750
061013	6,350	Panel SDP 75 x 50	750	500
061030	5,250	Panel SDP 75 x 37.5	750	375
Panel with 9 mm plywood.				



061160	25,500	Main Beam SLT 375 For cantilevers.
--------	--------	--



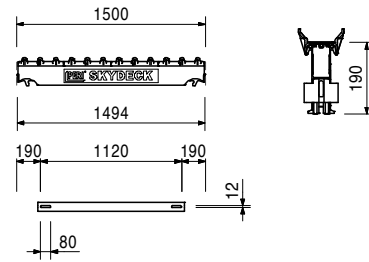
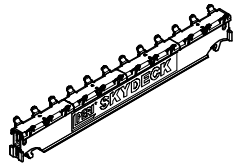
061100	15,500	Main Beam SLT 225 For standard fields.
--------	--------	--



SKYDECK Panel Slab Formwork

Item no.	Weight kg
061110	9,690

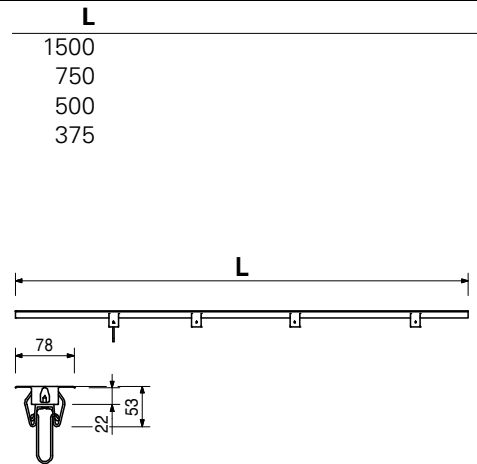
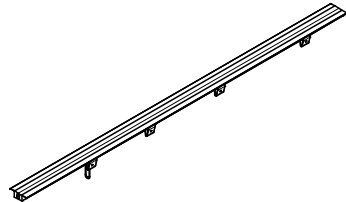
Main Beam SLT 150
For filler areas.



061026	1,690
061027	0,849
061024	0,561
061038	0,427

Cover Strips SAL
Cover Strip SAL 150
Cover Strip SAL 75
Cover Strip SAL 50
Cover Strip SAL 37.5

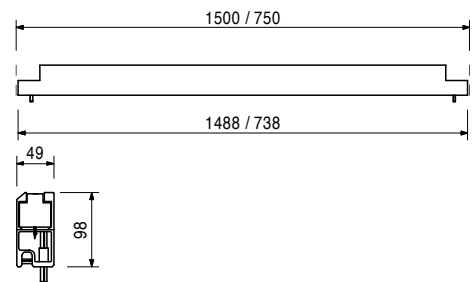
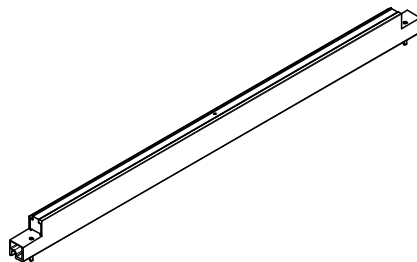
Plastic. Panel with 21 mm plywood. For use with drophead SFK.



061045	5,740
061046	2,720

Edge Beams SRT-2
Edge Beam SRT-2 150
Edge Beam SRT-2 75

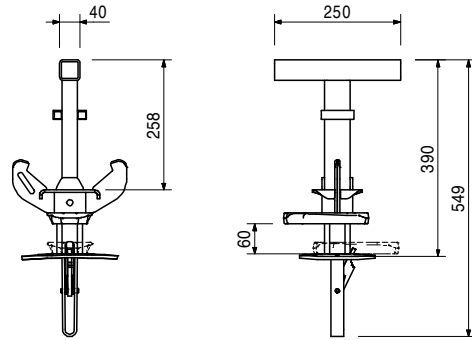
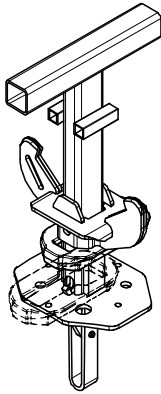
For longitudinal and transverse filling, for shuttering around columns. Panel with 21 mm plywood.



Item no.	Weight kg
061210	6,180

Drophead SFK

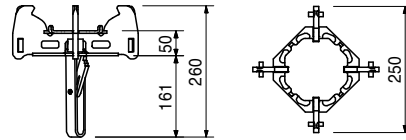
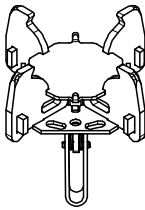
With self-locking coupling. Supports main beam as well as cover strip and formlining. Lowering height 6 cm. For 21 mm plywood formlining.



061200	3,860
--------	-------

Prophead SSK

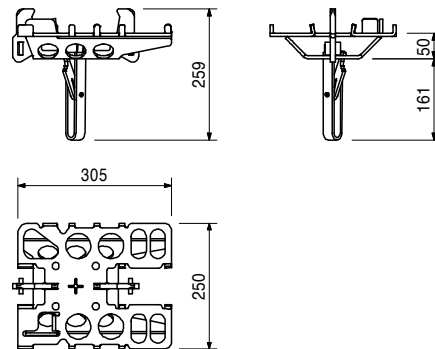
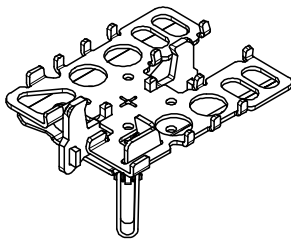
With self-locking coupling. Supports main beams, panels, edge girders and filler timber.



061180	5,340
--------	-------

Combihead SCK

With self-locking coupling. Supports main beams, panels, edge girders and filler timber.

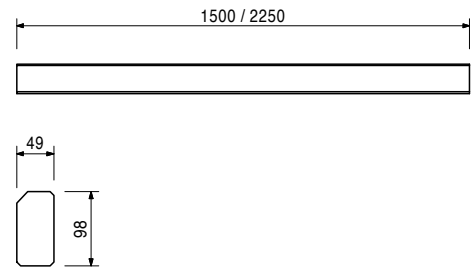
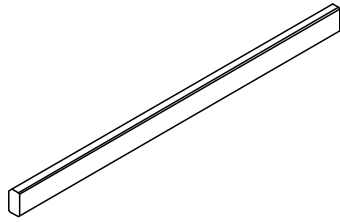


Item no.	Weight kg
----------	-----------

061049	3,350
061036	5,020

Filler Timbers SPH
Filler Timber SPH 150
Filler Timber SPH 225

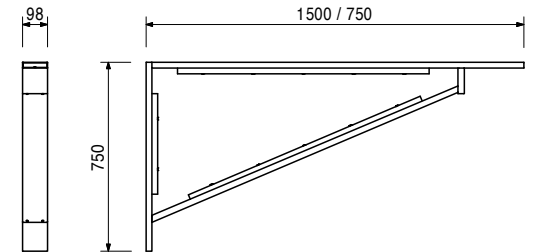
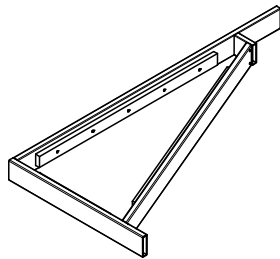
For compensations with 21 mm plywood formlining.



061021	8,650
061022	5,340

Triangular Frames SDR
Triangular Frame SDR 150 x 75
Triangular Frame SDR 75 x 75

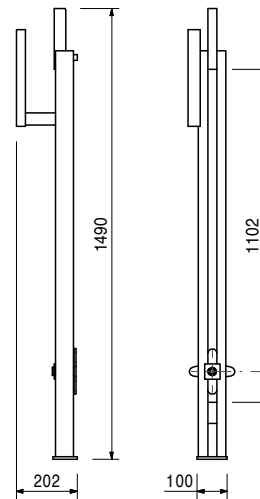
For compensations on inclined walls. For compensations with 21 mm plywood formlining.



061051	5,250
--------	-------

Wall Holder SWH-2

For horizontal anchoring on the wand. Attach to every second girder or panel.

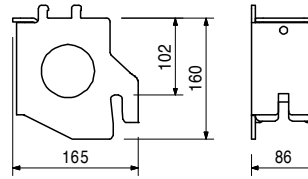
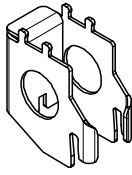


Item no. Weight kg

061023 2,140

End Support SSL

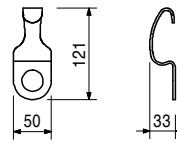
For the transition to compensation. Connecting to Drophead SKF.



061290 0,133

Panel Clip SPK

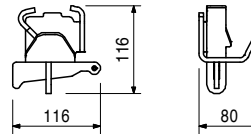
Fixes panel on main beam.



061280 0,780

Panel Wedge Clip SPKK

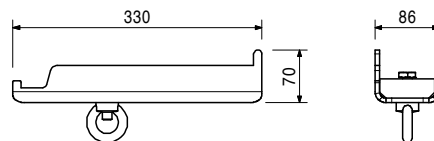
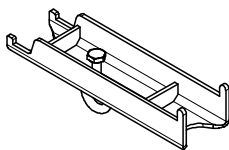
Fixes panel on main beam.



061052 2,590

Table Connector STV

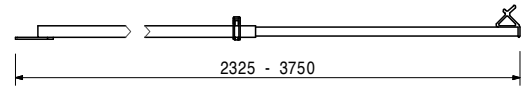
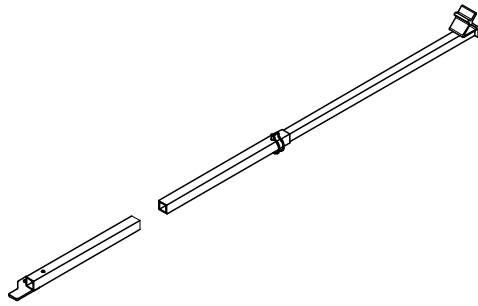
For assembling SKYDECK Slab Tables. Also allows the fixing of intermediate props on the main beam.



Item no.	Weight kg
061300	2,240

Erection Aid SSH

For forming with SKYDECK. Adjustable in 7.5 cm increments.



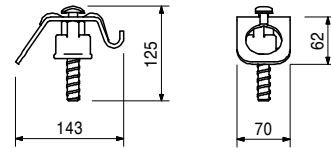
061310	0,996
--------	-------

Tension Sleeve SAO

For bracing cantilevered main beams.

Technical Data

Permissible tension force 3.0 kN.



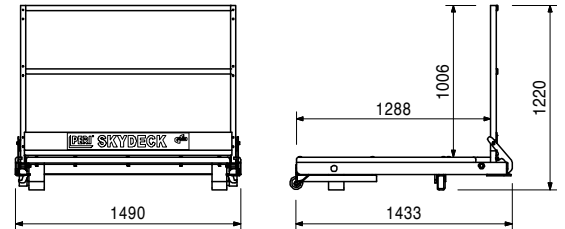
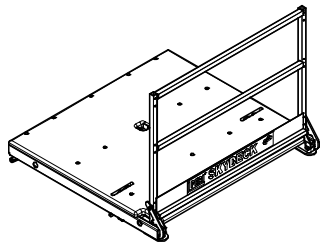
061060	108,000
--------	---------

Platform SDB 150

Work and safety scaffold. Scaffold width 1.30 m. With continuous 39 mm thick decking and foldable handrail frame.

Technical Data

Permissible load 150 kg/m².



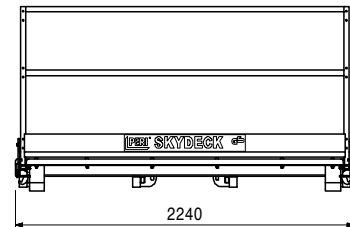
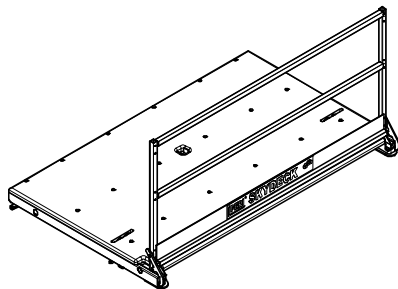
061061	153,000
--------	---------

Platform SDB 225

Work and safety scaffold. Scaffold width 1.30 m. With continuous 39 mm thick decking and foldable handrail frame.

Technical Data

Permissible load 150 kg/m².



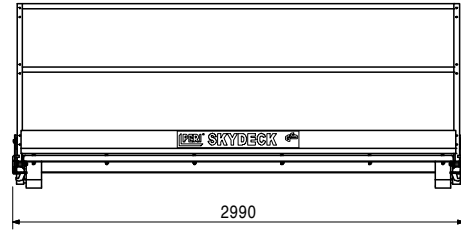
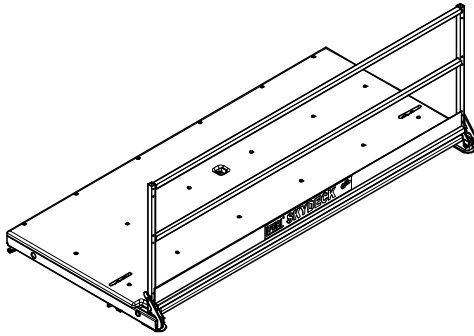
Item no.	Weight kg
061062	185,000

Platform SDB 300

Work and safety scaffold. Scaffold width 1.30 m. With continuous 39 mm thick decking and foldable handrail frame.

Technical Data

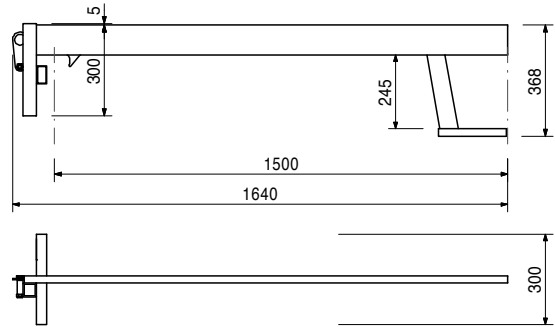
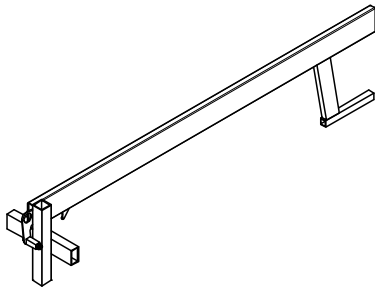
Permissible load 150 kg/m².



061250	4,760
--------	-------

Guardrail Holder SGH, Alu

For assembling a guardrail with SKYDECK.



061260	6,150
--------	-------

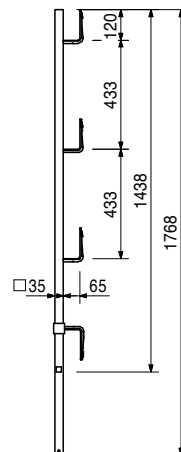
Accessories

Guardrail Post SGP

061260	6,150
--------	-------

Guardrail Post SGP

As guardrail for different systems.



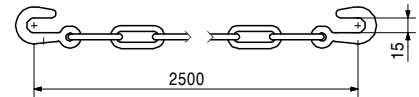
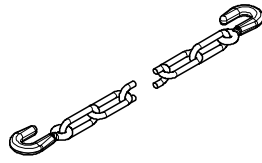
SKYDECK Panel Slab Formwork

Item no.	Weight kg
065073	1,370

Anchor Chain 3.0 kN l = 2.5 m

Technical Data

Permissible tension force 3.0 kN.

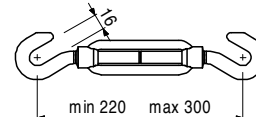
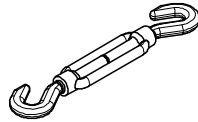


065074	0,450
--------	-------

Turnbuckle 3.0 kN, M 12

Technical Data

Permissible tension force 3.0 kN.



028100	1,830
--------	-------

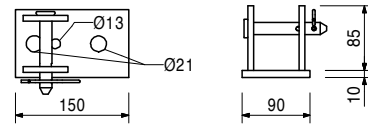
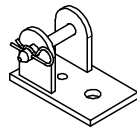
Base Plate for RS

For assembly of RS push-pull props.

Complete with

1 pc. 018050 Bolt \varnothing 16 x 65/86, galv.

1 pc. 018060 Cotter Pin 4/1, galv.



061530	82,400
--------	--------

Pallet SD 150 x 225, galv.

For stacking and transportation of 48 SKYDECK panels 150 x 75.

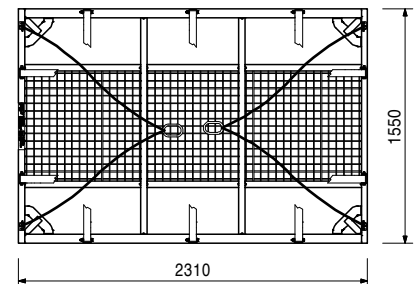
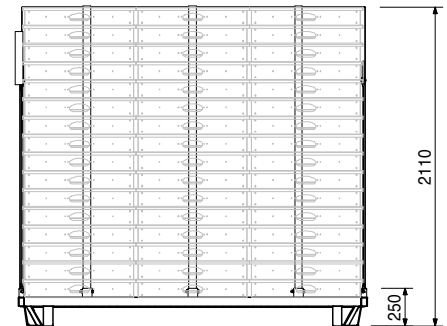
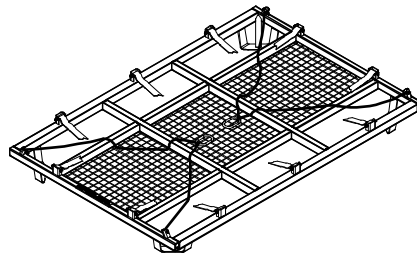
Complete with

5 pc. 100707 Lashing 25 x 5750 mm

Safety Instructions

Load-bearing capacity 750 kg.

Follow Instructions for Use!



SKYDECK Panel Slab Formwork



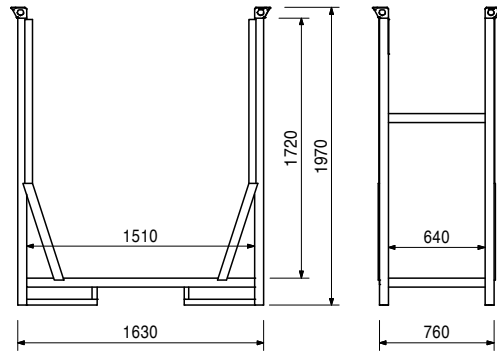
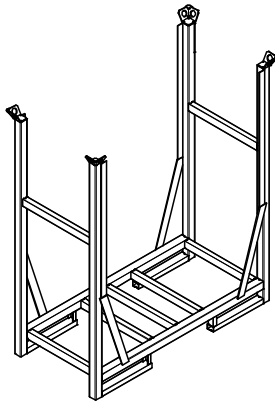
Item no.	Weight kg
061500	76,700

Pallet SD 150 x 75, galv.

For stacking and transportation of 14 SKYDECK Panels 150 x 75.

Safety Instructions

Load-bearing capacity 1.0 t.
Follow Instructions for Use!



061510	110,000
--------	---------

Pallet Lifting Trolley 1500 mm

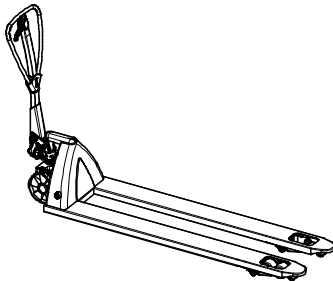
For moving pallets and crate pallets.

Technical Data

Forklift arm length 1500 mm, forklift arm width 520 mm, stroke range 85 - 195 mm.

Safety Instructions

Load-carrying capacity 2.0 t.
Follow Instructions for Use at all times!



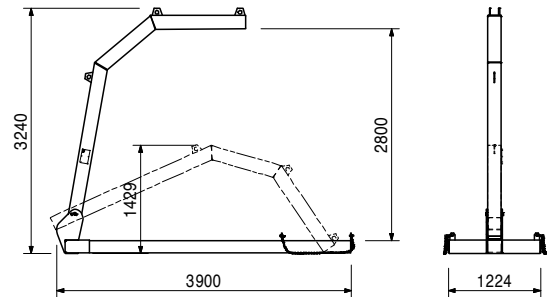
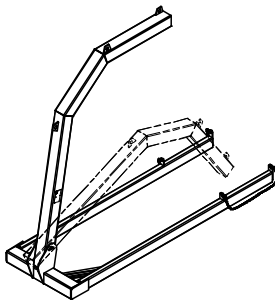
061520	403,000
--------	---------

Transportation Fork SUG, galv.

For moving SKYDECK slab tables.

Safety Instructions

Follow Instructions for Use at all times.
Load-carrying capacity 1.0 t.



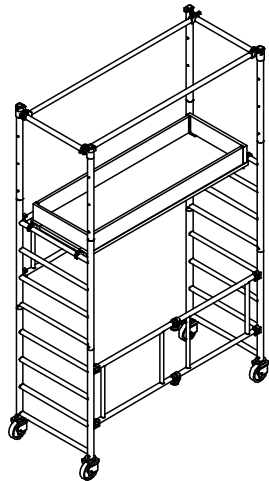
SKYDECK Panel Slab Formwork



Item no.	Weight kg
035500	72,800

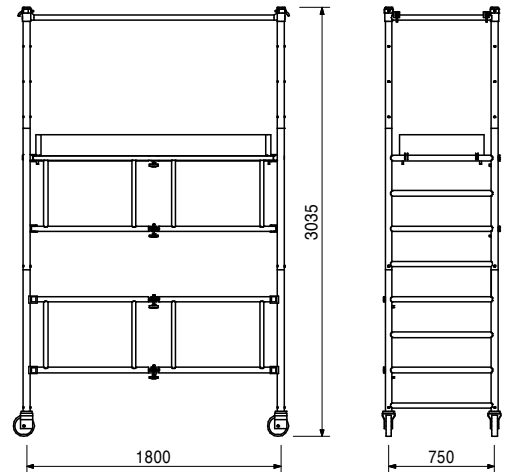
Stripping Cart, Alu

Mobile working scaffold. Height-adjustable in 25 cm increments. Platform height max. 2.00 m.



Technical Data

Permissible load 100 kg/m².



102031	363,000
--------	---------

Stripping Cart ASW 465, compl.

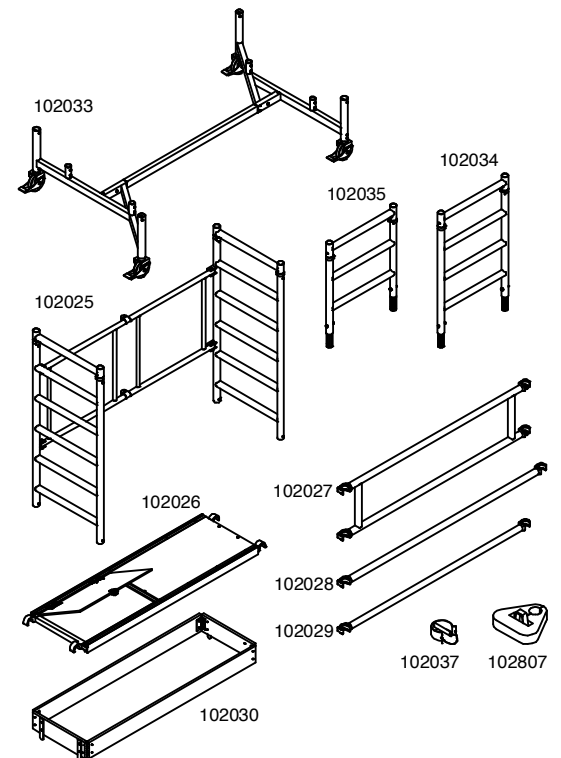
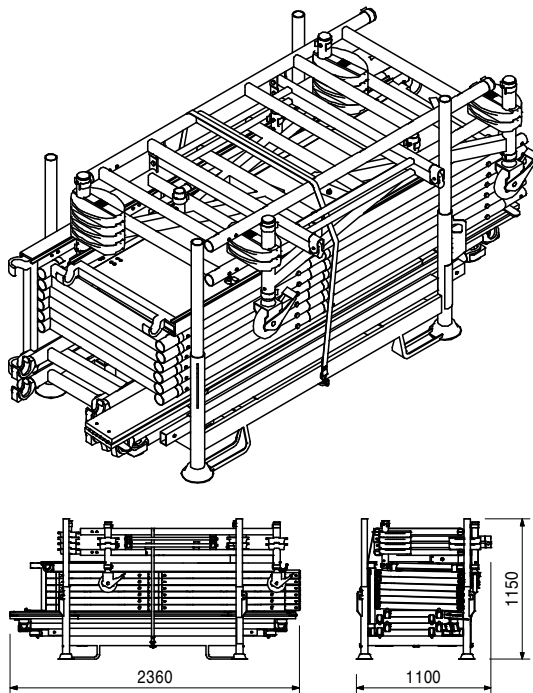
Mobile working scaffold. Height-adjustable in 30 cm increments. Platform height max. 4.65 m. Packed in: Ring Pallet USP 104 Item no. 100678, with Lashing Strap Item no. 100707 (x 1) and Scaffold Tube Steel Item no. 026411 (x 4).

Complete with

- 1 pc. 102033 Steel Traverse 140/220 ASW
- 1 pc. 102025 Folding Base Unit 160/190 ASW
- 6 pc. 102035 Vertical Frame 70/90 ASW
- 2 pc. 102026 Entry Platform 190 ASW
- 1 pc. 102030 Toe-Board Set 70/190 ASW
- 4 pc. 102027 Double Guardrail 190 ASW
- 3 pc. 102028 Diagonal Brace 210 ASW
- 2 pc. 102029 Horizontal Brace 190 ASW
- 8 pc. 102037 Wind Security Clip 60 ASW
- 12 pc. 102807 Ballast 10 kg ASW

Technical Data

Permissible load 100 kg/m².



01 PERI GmbH
 Rudolf-Diesel-Strasse
 89264 Weissenhorn
 info@peri.com
 www.peri.com



02 France
 PERI S.A.S.
 77109 Meaux Cedex
 peri.sas@peri.fr
 www.peri.fr

03 Switzerland
 PERI AG
 8472 Ohringen
 info@peri.ch
 www.peri.ch

04 Spain
 PERI S.A.
 28110 Algete - Madrid
 info@peri.es
 www.peri.es

05 Belgium/Luxembourg
 N.V. PERI S.A.
 1840 Londerzeel
 info@peri.be
 www.peri.be

06 Netherlands
 PERI B.V.
 5480 AH-Schijndel
 info@peri.nl
 www.peri.nl

07 USA
 PERI Formwork Systems, Inc.
 Elkridge, MD 21075
 info@peri-usa.com
 www.peri-usa.com

08 Indonesia
 PT Beton Perkasa Wijaksana
 Jakarta 10210
 bpw@betonperkasa.com
 www.peri.com

09 Italy
 PERI S.p.A.
 20060 Basiano
 info@peri.it
 www.peri.it

10 Japan
 PERI Japan K.K.
 Tokyo 103-0015
 info@perijapan.jp
 www.perijapan.jp

11 United Kingdom/Ireland
 PERI Ltd.
 Rugby, CV23 0AN
 info@peri.ltd.uk
 www.peri.ltd.uk

12 Turkey
 PERI Kalıp ve İskeleleri
 Esenyurt / İstanbul 34510
 info@peri.com.tr
 www.peri.com.tr

13 Hungary
 PERI Kft.
 1181 Budapest
 info@peri.hu
 www.peri.hu

14 Malaysia
 PERI Formwork Malaysia
 Sdn. Bhd.
 43300 Seri Kembangan,
 Selangor Darul Ehsan
 info@perimalaysia.com
 www.perimalaysia.com

15 Singapore
 PERI ASIA Pte. Ltd
 Singapore 387355
 pha@periasia.com
 www.periasia.com

16 Austria
 PERI Ges.mbh
 3134 Nußdorf ob der Traisen
 office@peri.at
 www.peri.at

17 Czech Republic
 PERI spol. s r.o.
 252 42 Jesenice u Prahy
 info@peri.cz
 www.peri.cz

18 Denmark
 PERI Danmark A/S
 2670 Greve
 peri@peri.dk
 www.peri.dk

19 Finland
 PERI Suomi Ltd. Oy
 05460 Hyvinkää
 info@perisuomi.fi
 www.perisuomi.fi

20 Norway
 PERI Norge AS
 3036 Drammen
 info@peri.no
 www.peri.no

21 Poland
 PERI Polska Sp. z o.o.
 05-860 Płochocin
 info@peri.pl.pl
 www.peri.pl.pl

22 Sweden
 PERIform Sverige AB
 30013 Halmstad
 peri@periform.se
 www.periform.se

23 Korea
 PERI (Korea) Ltd.
 Seoul 135-080
 info@perikorea.com
 www.perikorea.com

24 Portugal
 PERIcofragens Lda
 2790-326 Queijas
 info@peri.pt
 www.peri.pt

25 Argentina
 PERI S.A.
 B1625GPA Escobar – Bs. As.
 info@peri.com.ar
 www.peri.com.ar

26 Brazil
 PERI Formas e
 Escoramentos Ltda.
 Vargem Grande Paulista
 São Paulo
 info@peribrasil.com.br
 www.peribrasil.com.br

27 Chile
 PERI Chile Ltda.
 Colina, Santiago de Chile
 peri.chile@peri.cl
 www.peri.cl

28 Romania
 PERI România SRL
 077015 Balotești
 info@peri.ro
 www.peri.ro

29 Slovenia
 PERI Slovenien
 2000 Maribor
 peri.slo@triera.net
 www.peri.com

30 Slovakia
 PERI spol. s r.o.
 903 01 Senec
 info@peri.sk
 www.peri.sk

31 Australia
 PERI Australia Pty. Ltd.
 Glendenning NSW 2761
 info@periaus.com.au
 www.periaus.com.au

32 Estonia
 PERI AS
 76406 Saku vald
 Harjumaa
 peri@peri.ee
 www.peri.ee

33 Greece
 PERI Hellas Ltd.
 194 00 Koropi
 info@perihellas.gr
 www.perihellas.gr

34 Latvia
 PERI SIA
 2118 Salaspils novads,
 Rigas rajons
 info@peri-latvija.lv
 www.peri-latvija.lv

35 United Arab Emirates
 PERI (L.L.C.)
 Dubai
 perillc@perime.com
 www.perime.com



- 36 Canada**
PERI Formwork Systems, Inc.
Bolton, ON – L7E 1K1
info@peri.ca
www.peri.ca
- 37 Lebanon**
Lebanon Representative Office
Jdeideh
lebanon@peri.de
www.peri.de
- 38 Lithuania**
PERI UAB
02300 Vilnius
info@peri.lt
www.peri.lt
- 39 Morocco**
PERI S.A.
Tanger
peri25@menara.ma
www.peri.com
- 40 Israel**
PERI Formwork
Engineering Ltd
Petach Tikva, 49002
info@peri.co.il
www.peri.co.il
- 41 Bulgaria**
PERI Bulgaria EOOD
1839 Sofia
peri.bulgaria@peri.bg
www.peri.bg
- 42 Iceland**
Armar ehf.
220 Hafnarfjörður
www.armor.is
- 43 Kazakhstan**
TOO PERI Kazakhstan
050010 Almaty
peri@peri.kz
www.peri.kz
- 44 Russian Federation**
OOO PERI
142407, Noginsk District
moscow@peri.ru
www.peri.ru
- 45 South Africa**
Wiehahn Formwork and
Scaffolding (Pty) Ltd.
7600 Stellenbosch
info@wiehahn.co.za
www.wiehahn.co.za
- 46 Ukraine**
TOW PERI Ukraina
07400 Brovary
peri@peri.ua
www.peri.ua
- 47 Egypt**
Egypt Branch Office
11361 Heliopolis / Cairo
info@peri.com.eg
www.peri.com.eg
- 48 Serbia**
PERI Oplate d.o.o.
11272 Dobanovci
office@peri.rs
www.peri.rs
- 49 Mexico**
PERI Cimbras y Andamios,
S.A. de C.V.
Estado de México,
info@peri.com.mx
www.peri.com.mx
- 50 Azerbaijan**
PERI Kalıp ve İskeleleri
Baku
peribaku@peri.com.tr
www.peri.com.tr
- 51 Turkmenistan**
PERI Kalıp ve İskeleleri
Aşgabat
ahmet.kadioglu@peri.com.tr
www.peri.com.tr
- 52 Belorussia**
PERI Belarus
220030 Minsk
peri@mail.belpak.by
www.peri.com
- 53 Croatia**
PERI oplate i skele d.o.o.
10 250 Donji Stupnik/
Zagreb
info@peri.com.hr
www.peri.com.hr
- 54 Iran**
PERI GmbH
Iran Branch Office
Tehran
info@peri.ir
www.peri.ir
- 55 India**
PERI (India) Pvt Ltd
Mumbai – 400064
info@peri.in
www.peri.in
- 56 Jordan**
PERI GmbH - Jordan
11947 Amman
jordan@peri.com
www.peri.com
- 57 Kuwait**
PERI Kuwait
13011 Kuwait
kuwait@peri.com
www.peri.com
- 58 Saudi Arabia**
PERI Engineering
Division of Jamjoom
Consult Saudi Arabia
21463 Jeddah
info@peri.com.sa
www.peri.com.sa
- 59 Qatar**
PERI Qatar LLC
P.O.Box: 31295 - Doha
info@periqatar.com
www.periqatar.com
- 60 Algeria**
Société PERI S.A.S.
Kouba - Alger
peri.alger@peri.fr
www.peri.fr
- 61 Albania**
PERI Sh.p.k.
Tirane
erti.hasanaj@peri.com.tr
www.peri.com.tr
- 62 Peru**
PERI Peruana SAC
Chorrillos, Lima
contacto@peri.com.pe
www.peri.com.pe
- 63 Panama**
PERI Panama Inc.
0832-00155 Panama City
info@peri.com.pa
www.peri.com.pa
- 64 Angola**
PERIcofragens, Lda.
Luanda
renato.portugal@peri.pt
www.peri.pt
- 65 Nigeria**
Heights Access Nigeria Ltd.
Victoria Island, Lagos
info@heightsaccessng.com
www.heightsaccessng.com
- 66 Oman**
PERI (L.L.C.)
Muscat
perimct@perime.com
www.perime.com

PERI Product Range



Wall Formwork

Panel Formwork
Girder Formwork
Circular Formwork
Facade Formwork
Brace Frame



Climbing Systems

Climbing Scaffold
Self-Climbing System
Climbing Protection Panel
Platform Systems



Column Formwork

Square
Rectangular
Circular



Scaffold, Stairways, Working Platforms

Facade Scaffold
Working Platform
Weather Protection Roof
Stairway Access



Slab Formwork

Panel Formwork
Beam Grid Formwork
Girder Formwork
Slab Table
Beam Formwork



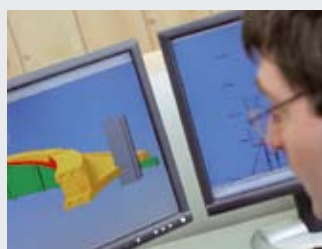
Bridge and Tunnel Formwork

Cantilevered Parapet Carriage
Cantilevered Parapet Platform
Engineer's Construction Kit



Shoring Systems

Steel Slab Props
Aluminium Slab Props
Tower Systems
Heavy-Duty Props



Services

Formwork Assembly
Cleaning / Repairs
Formwork Planning
Software
Statics
Special Constructions

Additional Systems
Plywood
Formwork Girders
Stopend Systems
Pallets
Transportation Containers



PERI GmbH Formwork Scaffolding Engineering

P.O. Box 1264
89259 Weissenhorn
Germany
Tel +49 (0)73 09.9 50-0
Fax +49 (0)73 09.9 51-0
info@peri.com
www.peri.com